



the
Furniture Guild
— Vanity Flair Collection —

Vanity Flair Collection
Retail Pricing Summer 2010

www.thefurnitureguild.com
phone 888.479.4108 - fax 770.479.0176

Table of Contents By Item Number

<u>Item #</u>	<u>Description</u>	<u>Page #</u>
125	Louis XVI	8
225	Provence	8
325	French	9
335	Jervais	10 -12
340	Camden	13 - 15
425	French Farmhouse	16
426	Tuscan Farmhouse	16
625	Bamboo	16
635	Tortuga	17
724	Corinthian	18
824	Neo Classic	18
940	Rustique	19
1010	Sienna	20
1011	Durant	21
1012	Sierra	21
1013	Keota	21
1014	Abilene	21
1020	New Yorker	22
1022	Mission Table	23
1024	Cottage Shutter	23
1025	Loft	24
1026	Loft Bow Front	25 - 27
1028	Holden	28
1030	Deja	29
1035	Pueblo	29
1040	Suko	30
1041	Artistry	30
1043	Praise	31
1046	Nikko	32
1048	Migoto	32
1050	Pavilion	33 - 35
1055	Dylan	36
1060	Brava	36
1070	Matthew	37
1090	Barrett	38
1120	Warson	39
1125	Peter Stewart	39
1225	Tuscan	40 - 43
1235	Cambridge	44 - 46
1255	Estate	47
1321	Mini French	9 , 47
1425	Classic	48 - 50
1521	Tavern	51
1525	Corbel	52 - 54
1620	Brittany	55
1820	Bella	56 - 58
1821	Italian	59
1925	Legacy	59
1930	Berkshire	59
2005	Newport	60 - 61
2010	Avalon	62

Table of Contents By Description

<u>Item #</u>	<u>Description</u>	<u>Page #</u>
1014	Abilene	21
1041	Artistry	30
2010	Avalon	62
625	Bamboo	16
1090	Barrett	38
1820	Bella	56 - 58
1930	Berkshire	59
1060	Brava	36
1620	Brittany	55
1235	Cambridge	44 - 46
340	Camden	13 - 15
1425	Classic	48 - 50
1525	Corbel	52 - 54
724	Corinthian	18
1024	Cottage Shutter	23
1030	Deja	29
1011	Durant	21
1055	Dylan	36
1255	Estate	47
325	French	9
425	French Farmhouse	16
1028	Holden	28
1821	Italian	59
335	Jervais	10 - 12
1013	Keota	21
1925	Legacy	59
1025	Loft	24
1026	Loft Bow Front	25 - 27
125	Louis XVI	8
1070	Matthew	37
1048	Migoto	32
1321	Mini French	9 , 47
1022	Mission Table	23
824	Neo Classic	18
1020	New Yorker	22
2005	Newport	60 - 61
1046	Nikko	32
1050	Pavilion	33 - 35
1125	Peter Stewart	39
1043	Praise	31
225	Provence	8
1035	Pueblo	29
940	Rustique	19
1010	Sienna	20
1012	Sierra	21
1040	Suko	30
1521	Tavern	51
635	Tortuga	17
1225	Tuscan	40 - 43
427	Tuscan Farmhouse	17
1120	Warson	39

Standard Order Form

Date: _____ P.O. Number: _____

Invoice To: _____ Ship To: _____

Phone: _____ Fax: _____

1. Choose a Style: Vanity

Style # _____ Description: _____

2. Choose a finish: (Circle the appropriate category.)

Category: A B

Finish Description: _____ \$ _____

3. Choose an Accent Color: (Circle the accent color you would like) \$ _____ N/C

Gold Silver Copper Pewter NONE

3. Choose Distressing Level: \$ _____

None Light Medium Heavy = 5%

4. Choose a Hand Painted Decoration:

HD Code: _____ Color (s) _____ \$ _____

Special Finishing Comments: _____

Mirrors

5. Choose a mirror:

Mirror Style # _____ Finish: _____ \$ _____

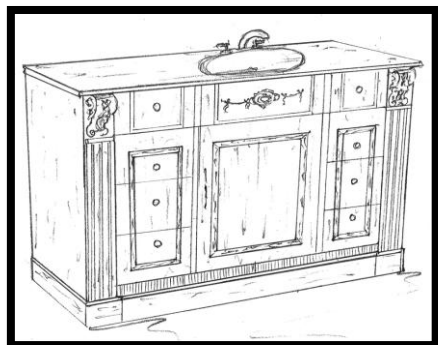
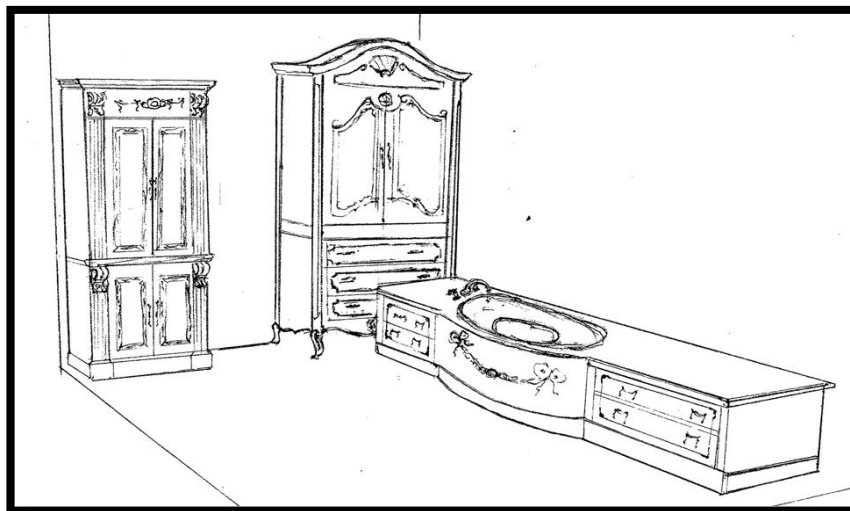
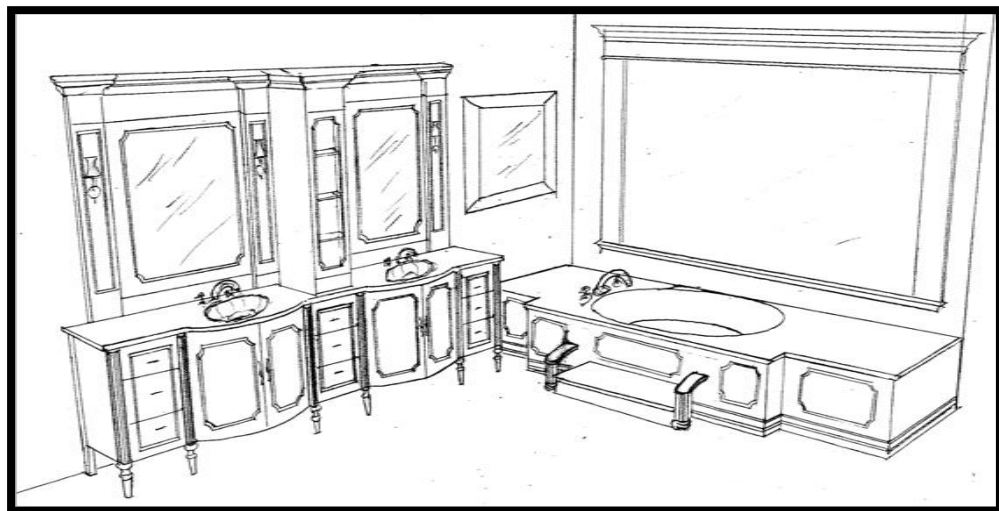
Finish Category will be the same as indicated for the vanity unless otherwise stated.

Hand Painted Decoration: Yes _____ No _____ \$ _____

HD Code _____ Color (s) _____

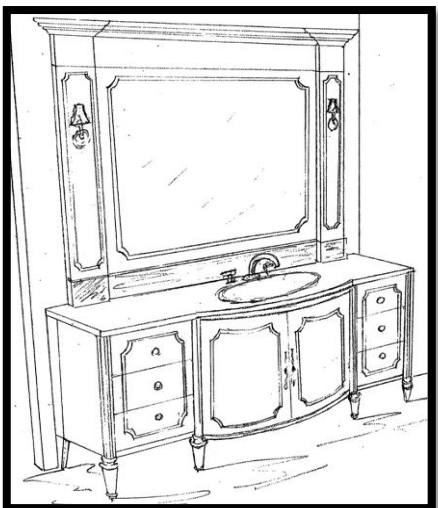
TOTAL.....\$ _____

Custom Master Bath and Other Custom Pieces



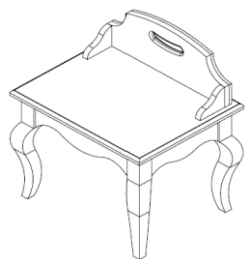
Custom Master Bath Furniture is available in any style or finish.

Design service to plan for special sink, faucet, countertop, and lighting applications is available.



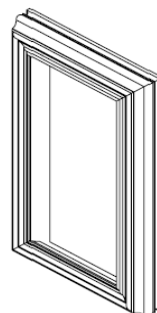
Please call Factory for a quote.

(888) 479-4108



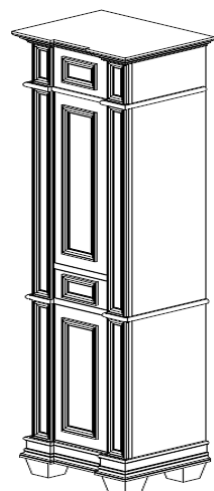
Benches

Custom Decorative Benches are available in appropriate styles and finishes. Designed for use with our bridges. COM Cushions are available. Call Factory for Quote



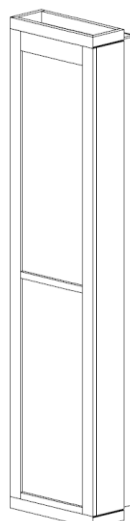
Surface Mounted Robern Frame

Surface Mount Robern medicine cabinet surrounds are available in any finish. We custom make these frames to surround any size or ganged configuration of Robern medicine cabinet.



Linen Towers

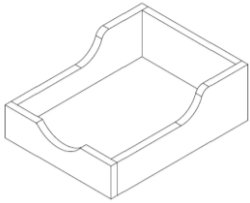
Linen Towers are available for any style. Call Factory for Drawings and a Quote.



Semi Recessed Storage

Semi Recessed Storage cabinets are available for any style. Call Factory for Drawings and a Quote.

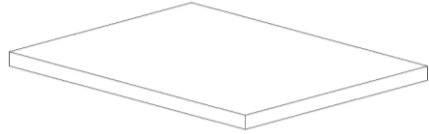
Accessories



Pullout Tray

A full extension tray behind doors which allows easy access to items inside the cabinet.

ITEM #	W	D	H			
PTRAY	custom	16 3/4	6		350	



Adjustable Shelf

Available most anywhere. We use metal grommets to give shelf holes a finished look

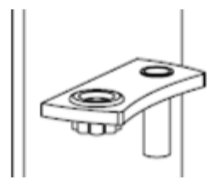
ITEM #	W	D	H			
ADSF	Custom	Custom	Custom		150	



Side Shelves

Interior side shelves for sink cabinet interiors. Provides 4-6" storage on either side of plumbing

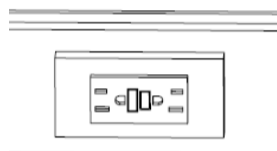
ITEM #	W	D	H			
SSHSELF	Custom	Custom	Custom		195	



Hairdryer / Curling Iron Kit *Power Option Recommended when ordering this item

Decorative wooden bracket with heat resistant inserts mounted to the back of a door. (spec left or right)

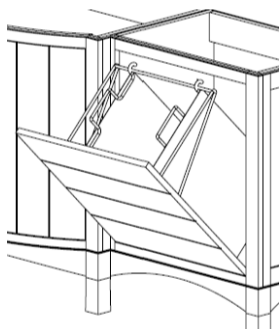
ITEM #	W	D	H			
HDCI	Custom	Custom	Custom		195	



Power Option

A GFCI receptacle inside the cabinet which allows you to leave your hairdryer and curling iron plugged in and hidden.

ITEM #						
PWR110					195	

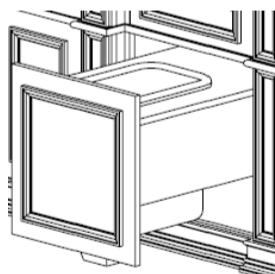


Laundry Hamper

A forward tilting door on a bank or wing that houses our convenient system for holding laundry.

Disguised as a door or stack of drawers. (Requires Wing or Bank Cabinet)

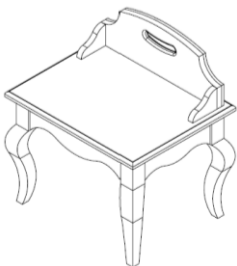
ITEM #	W	D	H			
LH16	17	12	20		Call For Quote	
LH22	24	12	20		Call For Quote	



Trash Pullout

Usually disguised as a door or stack of drawers, We integrate 1 or 2 standard 11 x 14 trash cans into a full extension, soft closing pullout. (Requires Wing or Bank Cabinet)

ITEM #	W	D	H			
TR1	15	Includes 1 can			Call For Quote	
TR2	28	Includes 2 cans			Call For Quote	

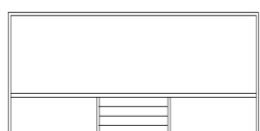


Benches

Custom Decorative Benches are available in appropriate styles and finishes. Designed for use with our bridges.

COM Cushions are available. Call For Quote

ITEM #	W	D	H			
BENCH	custom	custom	custom		Call For Quote	



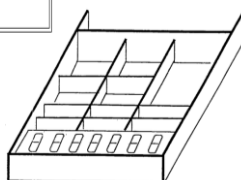
Jewelry / Cosmetic Organizer - designed to fit inside bridge drawers

Jewelry organizer is felt lined.

Cosmetic Organizer is clear acrylic and dis-assembles for easy cleaning.

ITEM #	W	D	H			
Jewelry 1	11 1/8	10 3/4	2		150	
Cosmetic 1	12 5/8	10 3/4	2		175	

Cosmetic



Jewelry

*call for custom size quotes

For other accessories please contact The Furniture Guild @ (888) 479-4108

Finishes and Accent Colors

Accent Colors - to highlight moldings and appliques - no charge - please specify

Silver	Copper	
Gold	Pewter	None

Category A Finishes - Maple Wood Species

A1 Cinnamon	A7 Coffee Bean	A13 Parchment
A2 Normandy	A8 Tombstone	A14 Sesame
A3 Briar	A9 Cactus	A15 Seafoam
A4 Brandy	A10 Blanc	A16 Piedmont
A5 Cabernet	A11 Cottage White	A17 Sandamar
A6 Black Forest	A12 Noir	

Category A Finishes - Premium Wood

**Premium Wood Upcharge Required

Walnut Wood Species

AW1 Glazed Walnut **	AW2 French Walnut**
----------------------	---------------------

Lyptus Wood Species

AL1 Glazed Lyptus	AL2 Piedmont on Lyptus	AL3 Tombstone on Lyptus
-------------------	------------------------	-------------------------

Category B Finishes - Maple Wood Species

Maple with Exotic Veneers

B1 Normandy / Walnut Burl
B2 Briar / Ash Burl
B15 Piedmont / Ash Burl
B16 Sandamar / Ash Burl
B17 Brandy / Ash Burl
B21 Black Forest / Walnut Burl

Exotic Veneers

B9 Sapele Mahogany
B10 Zebrawood
B12 Clear Caramelized Bamboo
B14 Wenge
B18 Rosewood
B19 Maccassar Ebony
B20 Black Forest Bamboo

Faux Finishes

B3 Artisan Mocha
B4 Artisan Grey
B5 Artisan Vale Mist
B6 Artisan Red
B7 Artisan Black
B8 Artisan Tundra

Category B Finishes - Premium Wood

**Premium Wood Upcharge Required

BW1 Glazed Walnut / Walnut Burl	BW2 French Walnut / Walnut Burl
---------------------------------	---------------------------------

Faux Finishes from the past...

REC, Studio, and Coventry Finishes are still available. Use Category B Pricing.

Special Veneer Combinations - Available on select designs

1. Combining Ash Burl and Maple wood in the Briar finish.
2. Combining Walnut Burl and Maple wood in the Normandy finish.
3. Combining Walnut Burl and Walnut wood in the Glazed Walnut finish. See pricelist for upcharge.
4. Combining Glazed Walnut and Figured Maple Only available on 1041. (Cat B + walnut upcharge)

Hand Painted Decorations - PRICING

Our artists can hand paint your choice of decoration in colors that fit your décor. Each piece is hand painted just for you.

Select any style you like, from classic to contemporary, romantic to rustic, or traditional to trendy.

You can request your own custom design or choose from one of our classic in-house designs.

LARGE HAND PAINTED DECORATIONS - Designed for Doors



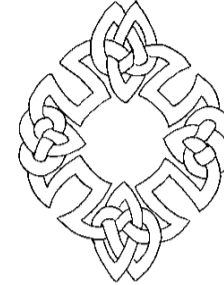
VER - Versailles
\$500 Each



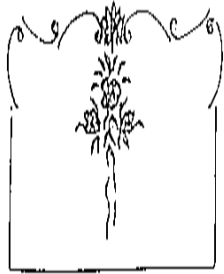
OLY - Olympia
\$500 Each



ANT - Antonina
\$500 Each



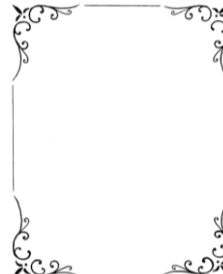
WEX - Wexford
\$500 Each



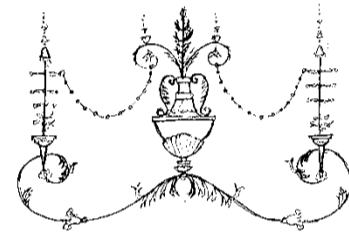
CEL - Celeste
\$500 Each



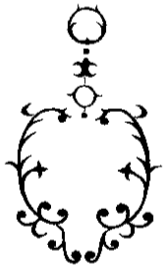
BX - Box Panel Art
\$350 Each



FS - French Scroll
\$350 Each



FON - Fontina
\$750 Each



ARC - Archae
\$500 Each



CAV - Cavina
\$500 Each



BIA - Bianca
\$500 Each

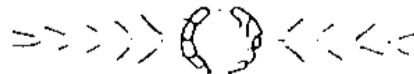


VEN - Venetian
\$500 Each

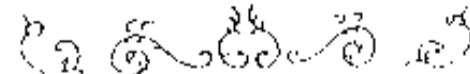
SMALL HAND PAINTED DECORATIONS - Designed for Mirrors and Aprons



COR - Corinthian Scroll
\$350 Each



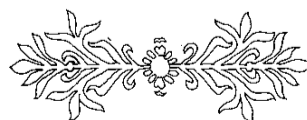
WG - Wreath & Garland
\$350 Each



LS - Louis XVI Scroll
\$350 Each



WS - Wreath & Scroll
\$350 Each



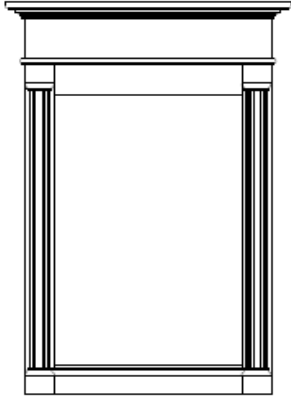
CAV - Cavina
\$350 Each



WEX - Wexford
\$350 Each

125 Louis XVI

All measurements are overall without top

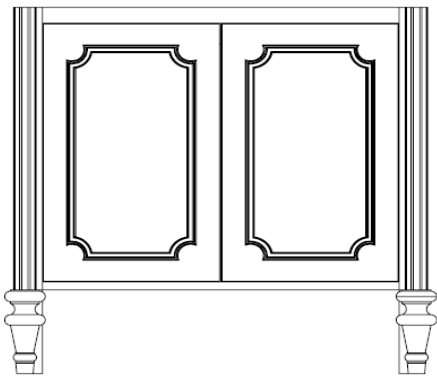


M-1 Louis XVI Mirror

ITEM #	W	D	H			A	B	Prem Wood	Beveled Glass
M-1	30.25	5	45.5			1380	1683	N/A	200

Louis XVI Medicine Cabinet Surround

ITEM #	W	D	H	Robern Size		A	B	Prem Wood	
MC-1-16	25.75	5	44	16 x 30		1334	1611	N/A	
MC-1-20	29.75	5	44	20 x 30		1380	1681	N/A	
MC-1-24	33.75	5	44	24 x 30		1426	1727	N/A	

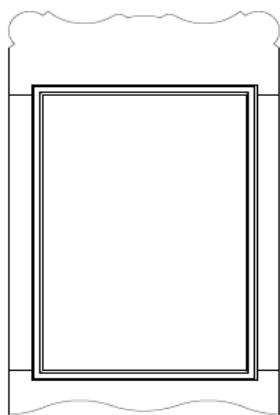


125 Louis XVI

ITEM #	W	D	H			A	B	Prem Wood	
125	38	22.5	34.25			3345	4075	N/A	

225 Provence

All measurements are overall without top

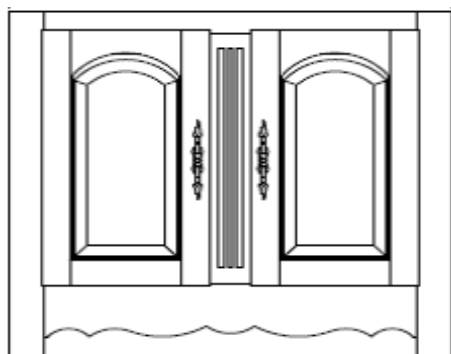


M-22 Provence Mirror

ITEM #	W	D	H			A	B	Prem Wood	Beveled Glass
M-22	28	1	44			1335	1611	N/A	200

Provence Medicine Cabinet Surround

ITEM #	W	D	H	Robern Size		A	B	Prem Wood	
MC-22-16	22.5	1	43.75	16 x 30		1288	1571	N/A	
MC-22-20	26.5	1	43.75	20 x 30		1334	1611	N/A	
MC-22-24	30.5	1	43.75	24 x 30		1380	1681	N/A	



225 Provence Vanity

ITEM #	W	D	H			A	B	Prem Wood	
225	38	22	33			2997	3656	N/A	

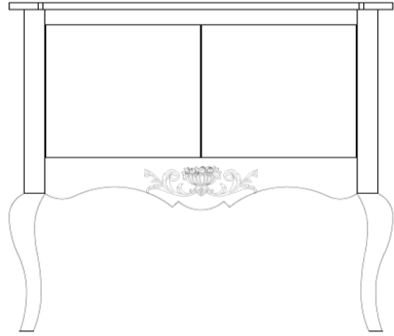
325 French

All measurements are overall without top



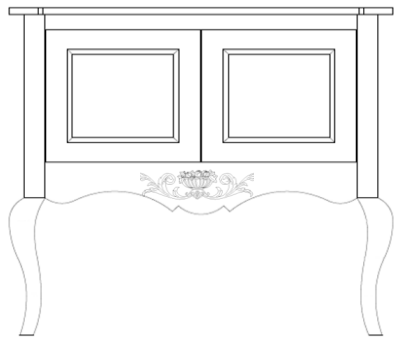
M-0 Oval Mirror

ITEM #	W	D	H	A	B	Prem Wood	Beveled Glass
M-0	26	1.5	32	889	1085	N/A	200



325 French

ITEM #	W	D	H	A	B	Prem Wood
325	36	22.5	33.25	3205	3910	N/A

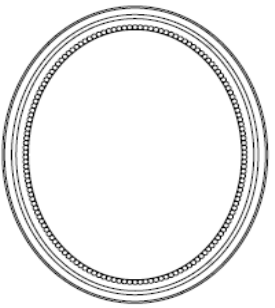


325A French w/ molding

ITEM #	W	D	H	A	B	Prem Wood
325A	36	22.5	33.25	3205	3910	N/A

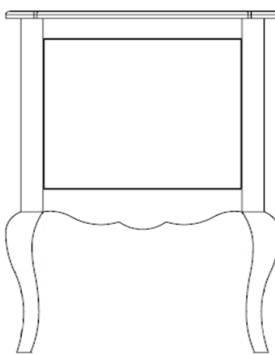
1321 Mini French

All measurements are overall without top



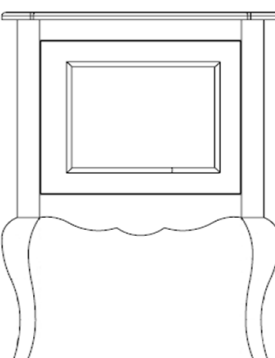
M-0 Oval Mirror

ITEM #	W	D	H	A	B	Prem Wood	Beveled Glass
M-0	26	1.5	32	889	1085	N/A	200



1321 Mini French

ITEM #	W	D	H	A	B	Prem Wood
1321	24	22.5	33.25	2295	2795	N/A



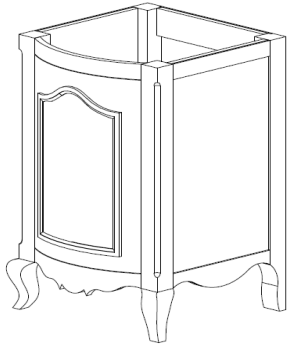
1321A Mini French w/ molding

ITEM #	W	D	H	A	B	Prem Wood
1321A	24	22.5	33.25	2295	2795	N/A

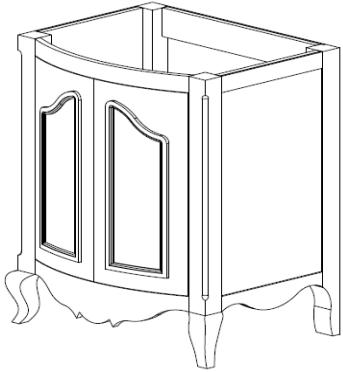
335 Jervais

All measurements are overall without top
 Top Templates Available for all items
 *Designates piece shown in line drawing.

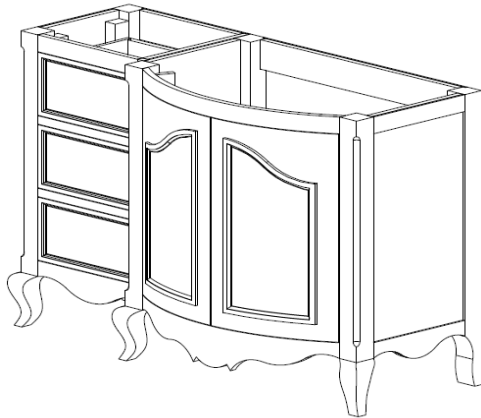
Single door cabinets hinge right
 Double sink vanities hinge on the outside



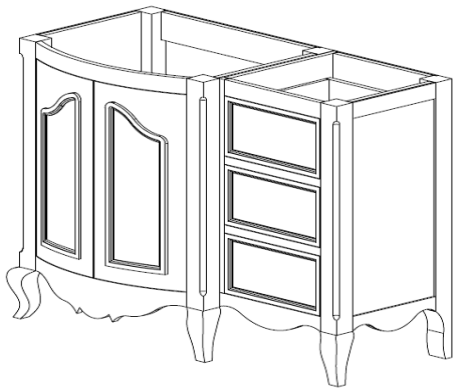
ITEM #	SINGLE DOOR			RECOMMENDED		A	B	Prem Wood
	W	D	H	BOWL SIZE				
335-0124	*24	23	35	17" x 14"		3185	3878	670



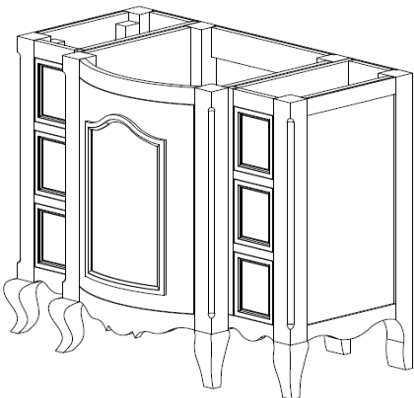
ITEM #	DOUBLE DOOR			RECOMMENDED		A	B	Prem Wood
	W	D	H	BOWL SIZE				
335-0230	*30	23	35	17" x 14"		3405	4153	710
335-0236	36	23	35	17" x 14"		3515	4285	733



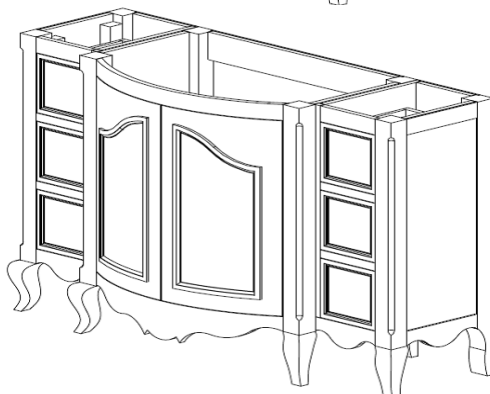
ITEM #	W	D	H	DOOR	DRAWER	A	B	Prem Wood
				SECTION	FACE			
335-0336	36	23	35	24	8.75	4725	5759	988
335-0342	42	23	35	30	8.75	4945	6034	1034
335-0348	48	23	35	30	14.75	5055	6155	1057
335-0354	*54	23	35	36	14.75	5165	6298	1080



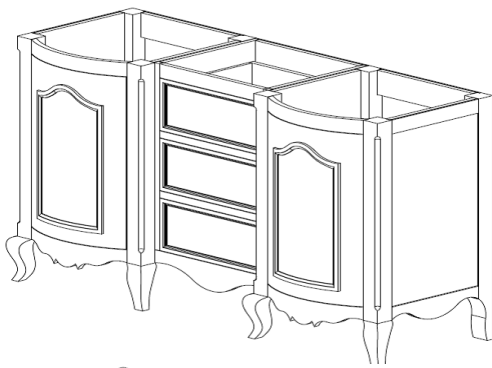
ITEM #	W	D	H	DOOR	DRAWER	A	B	Prem Wood
				SECTION	FACE			
335-0436	36	23	35	24	8.75	4725	5759	988
335-0442	42	23	35	30	8.75	4945	6034	1034
335-0448	*48	23	35	30	14.75	5055	6155	1057
335-0454	54	23	35	36	14.75	5165	6298	1080



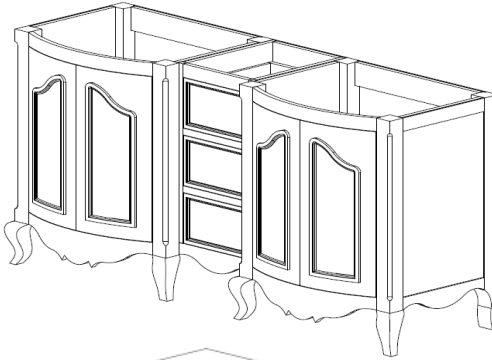
ITEM #	W	D	H	DOOR	DRAWER	A	B	Prem Wood
				SECTION	FACE			
335-0542	*42	23	35	24	5.875	6705	8179	1403
335-0548	48	23	35	24	8.75	6815	8311	1426



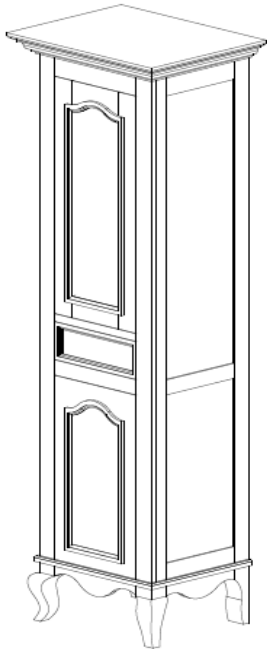
ITEM #	W	D	H	DOOR	DRAWER	A	B	Prem Wood
				SECTION	FACE			
335-0654	54	23	35	30	8.75	7035	8575	1473
335-0660	*60	23	35	36	8.875	7255	8795	1519
335-0666	66	23	35	36	11.875	7365	8982	1542
335-0672	72	23	35	36	14.875	7475	9114	1565



ITEM #	W	D	H	DOOR	DRAWER			Prem	
				SECTION	FACE	A	B	Wood	
335-0760	60	23	35	24	12.5	7035	8575	1473	
335-0766	*66	23	35	24	18.5	7145	8718	1496	



ITEM #	W	D	H	DOOR	DRAWER			Prem	
				SECTION	FACE	A	B	Wood	
335-0872	*72	23	35	30	12.25	7585	9257	1588	
335-0878	78	23	35	30	18.25	7695	9389	1611	



ITEM #	W	D	H					Prem	
				A	B	Wood			
335-0924	*24	19	78	N/A	13.5	4152	5065	832	

Includes:

- 1 drawer
- 1 halogen light
- clear glass top door

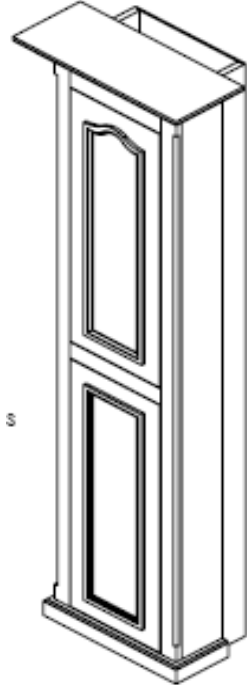
- 2 glass shelves
- 2 wood shelves

Available Options

- Hair Dryer / Curling Iron Holder
- Electrical Option

- \$195
- \$195

fluted glass, frosted glass and wood door panels are available - please contact the factory
888.479.4108



Partially Recessed Medicine Tower

ITEM #	W	D	H					Prem	
				A	B	Wood			
335-1024	21.25	12.5	72			3459	4222	520	

designed to fit between two studs 16"cc

Includes:

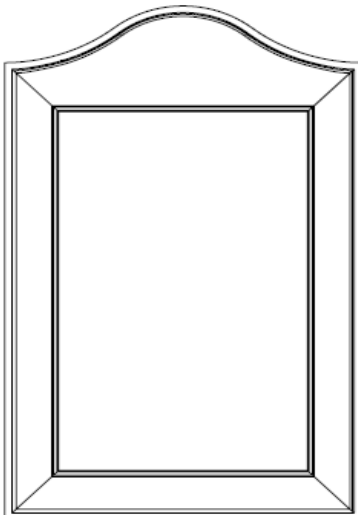
- Wood Doors
- 2 adjustable wood shelves
- 2 adjustable glass shelves
- Mirrored Upper Door Back
- Mirrored Back
- Halogen Light

Available Options

- Hair Dryer / Curling Iron Holder \$195
- Electrical Option \$195

Jervais Mirrors

ITEM #	W	D	H					Prem	Beveled
				A	B	Wood	Glass		
335-2016	22 1/2	1 1/8	41 7/8	N/A		1357	1657	271	200
335-2020	26 1/2	1 1/8	41 7/8	N/A		1380	1681	276	200
335-2024	30 1/2	1 1/8	41 7/8	N/A		1392	1698	278	200



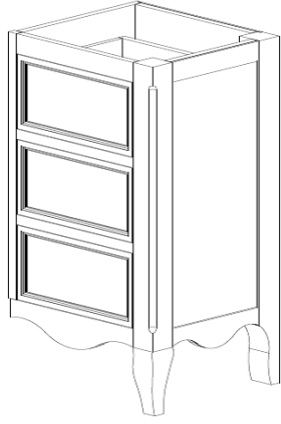
Jervais Medicine Cabinet Surrounds

ITEM #	W	D	H	Robern Size			Prem		
				A	B	Wood			
335-2116	22 1/2	1 1/8	41 7/8	16 x 30		1322	1611	264	N/A
335-2120	26 1/2	1 1/8	41 7/8	20 x 30		1346	1640	269	N/A
335-2124	30 1/2	1 1/8	41 7/8	24 x 30		1369	1669	274	N/A

Custom 335 Jervais Add-on Components

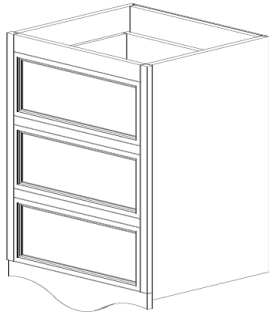
ESTIMATED PRICE FOR CUSTOM COMPONENTS
PLEASE CALL FACTORY TO PLACE ORDERS FOR CUSTOM COMPONENTS

Fax completed Custom Order Form and rough sketch to 770.479.0176



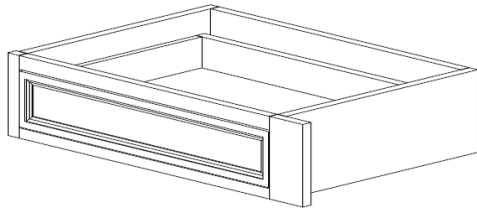
DRAWER WINGS

W	D	H		A	B	Prem Wood
from 10" to 25"	custom	35	3 drawers	2021	2466	404



DRAWER BANK

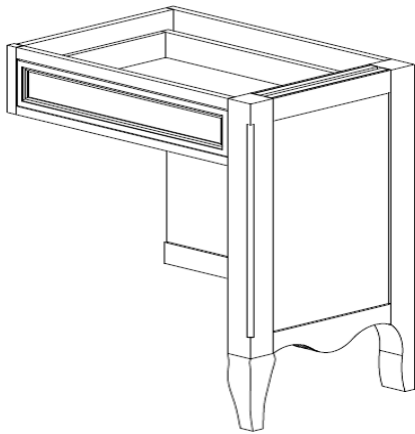
W	D	H		A	B	Prem Wood
from 9" to 25"	custom	35	3 drawers	1820	2220	362



BRIDGE

W	D	H		A	B	Prem Wood
from 24" to 30"	custom	30	1 drawer	909	1110	182

Bridge will give 23" of clearance under drawer as standard

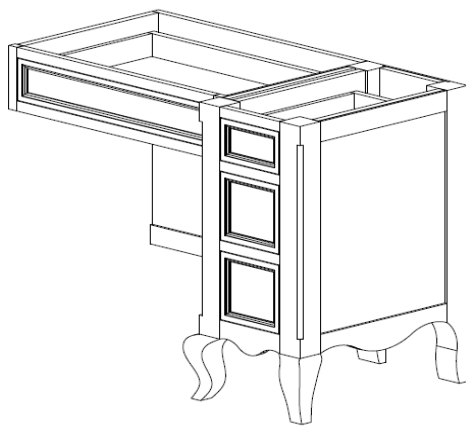


BRIDGE WITH FINISHED END

W	D	H		A	B	Prem Wood
from 27" to 32"	custom	30	1 drawer	1617	1973	323

Bridge will give 23" of clearance under drawer as standard

Privacy Panel is included



BRIDGE WITH DRAWER WING

W	D	H		A	B	Prem Wood
from 37" to 50"	custom	30	4 drawers	3133	3822	692

Bridge will give 23" of clearance under drawer as standard

Privacy Panel is included

BUILD-IN APPLICATIONS

PROFESSIONAL INSTALLATION REQUIRED

Overall width must be 4" less than space

We will add filler strips to fill the gaps

All Filler Strips are no charge

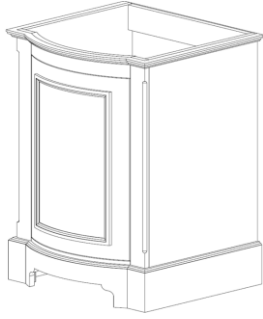
All Filler Strips are trimmable on site with proper tools

All Filler Strips are Dry Screwed for shipping purposes

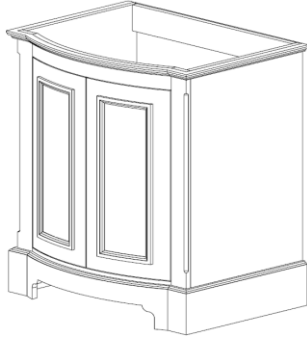
340 Camden

All measurements are overall without top
 Top Templates Available for all items
 *Designates piece shown in line drawing.

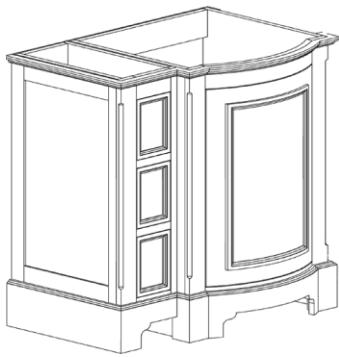
Single door cabinets hinge right
 Double sink vanities hinge on the outside



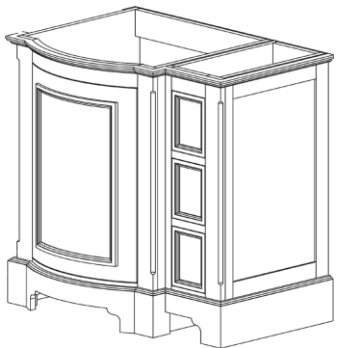
ITEM #	SINGLE DOOR			RECOMMENDED		A	B	Prem Wood
	W	D	H	BOWL SIZE				
340-0124	*24	23	35	17" x 14"		3185	3878	670



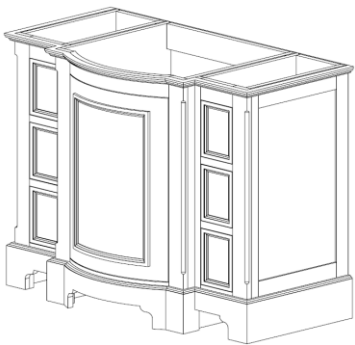
ITEM #	DOUBLE DOOR			RECOMMENDED		A	B	Prem Wood
	W	D	H	BOWL SIZE				
340-0230	*30	23	35	17" x 14"		3405	4153	710
340-0236	36	23	35	17" x 14"		3515	4285	733



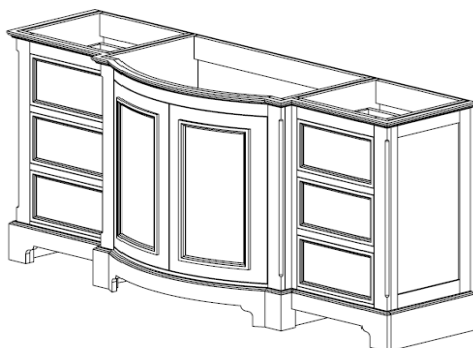
ITEM #	W	D	H	DOOR	DRAWER	A	B	Prem Wood
				SECTION	FACE			
340-0336	36	23	35	24	8.75	4725	5759	988
340-0342	42	23	35	30	8.75	4945	6034	1034
340-0348	48	23	35	30	14.75	5055	6155	1057
340-0354	*54	23	35	36	14.75	5165	6298	1080



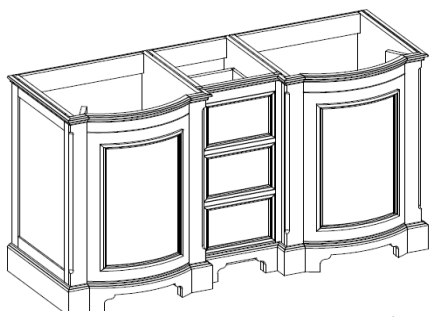
ITEM #	W	D	H	DOOR	DRAWER	A	B	Prem Wood
				SECTION	FACE			
340-0436	36	23	35	24	8.75	4725	5759	988
340-0442	42	23	35	30	8.75	4945	6034	1034
340-0448	*48	23	35	30	14.75	5055	6155	1057
340-0454	54	23	35	36	14.75	5165	6298	1080



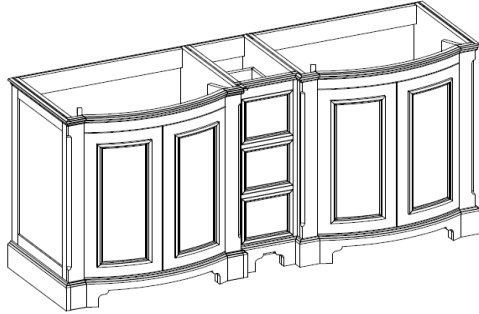
ITEM #	W	D	H	DOOR	DRAWER	A	B	Prem Wood
				SECTION	FACE			
340-0542	*42	23	35	24	5.875	6705	8179	1403
340-0548	48	23	35	24	8.75	6815	8311	1426



ITEM #	W	D	H	DOOR	DRAWER	A	B	Prem Wood
				SECTION	FACE			
340-0654	54	23	35	30	8.75	7035	8575	1473
340-0660	*60	23	35	36	8.875	7255	8795	1519
340-0666	66	23	35	36	11.875	7365	8982	1542
340-0672	72	23	35	36	14.875	7475	9114	1565
340-0678	78	23	35	36	17.875	7585	9253	1593



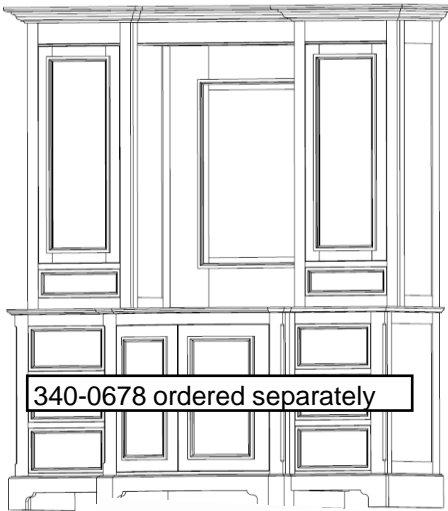
ITEM #	W	D	H	DOOR	DRAWER	A	B	Prem	Wood
				SECTION	FACE				
340-0760	60	23	35	24	12.5	7035	8575	1473	
340-0766	*66	23	35	24	18.5	7145	8718	1496	



ITEM #	W	D	H	DOOR	DRAWER	A	B	Prem	Wood
				SECTION	FACE				
340-0872	*72	23	35	30	12.25	7585	9257	1588	
340-0878	78	23	35	30	18.25	7695	9389	1611	

Camden Hutches

THIS PRICING IS FOR THE HUTCH ONLY



340-0678 ordered separately

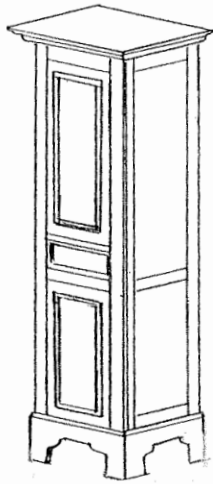
ITEM #	W	D	H	Designed For	A	B	Prem	Wood
340-3072	77		54	340-0672	7640	9323	1600	
340-3078	83		54	340-0678	7695	9389	1611	
30-GLASS	GLASS PACKAGE see details below				1149	1149	N/A	

Standard includes:

- Wood Doors/Shelves
- Valence with Lights
- Choice of a Wood, Mirrored, or Medicine Cabinet Panel

Optional Glass Package \$1149

- includes:
- Glass Doors on Towers
 - Adjustable Glass Shelves
 - Lights in Towers
 - Mirrored Backs in Towers



Camden Linen Tower

ITEM #	W	D	H	A	B	Prem	Wood	
340-0924	*24	19	78	N/A	13.5	4152	5065	832

Includes:

- 1 drawer
- 1 halogen light
- clear glass top door

Available Options

- 2 glass shelves
- 2 wood shelves
- Hair Dryer / Curling Iron Holder
- Electrical Option

\$195
\$195

Partially Recessed Medicine Tower

ITEM #	W	D	H	A	B	Prem	Wood	
340-1024	21.25	12.5	72			3459	4222	520

designed to fit between two studs 16"cc

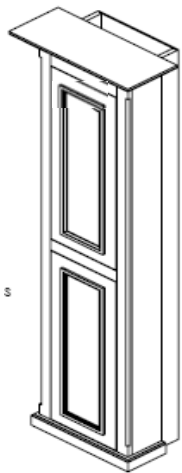
Includes:

- Wood Doors
- 2 adjustable wood shelves
- 2 adjustable glass shelves
- Mirrored Upper Door Back
- Mirrored Back
- Halogen Light

Available Options

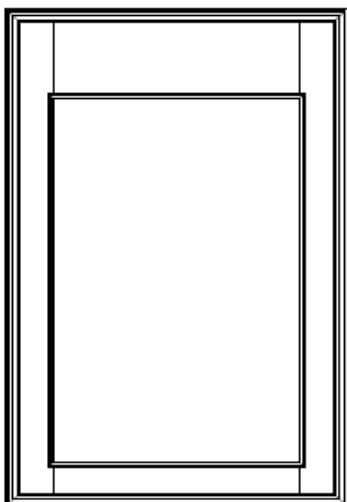
- Hair Dryer / Curling Iron Holder
- Electrical Option

\$195
\$195



Camden Mirrors

ITEM #	W	D	H	A	B	Prem	Wood	Beveled	Glass
340-2016	22 1/2	1 5/16	41 1/4			1242	1519	186	200
340-2020	26 1/2	1 5/16	41 1/4			1265	1542	189	200
340-2024	30 1/2	1 5/16	41 1/4			1282	1565	193	200



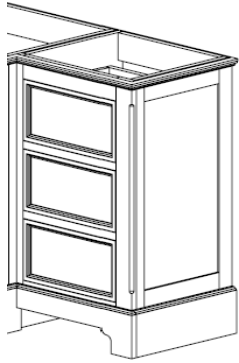
Camden Medicine Cabinet Surrounds

ITEM #	W	D	H	Roborn Size	A	B	Prem	Wood
340-2116	22 1/2	1 5/16	41 1/4	16 x 30	1207	1473	181	
340-2120	26 1/2	1 5/16	41 1/4	20 x 30	1230	1496	185	
340-2124	30 1/2	1 5/16	41 1/4	24 x 30	1253	1530	188	

Custom 340 Camden Add-on Components

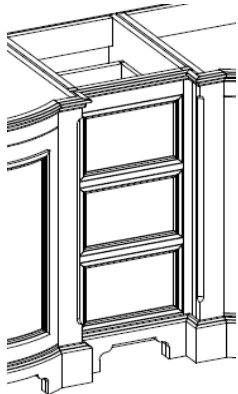
ESTIMATED PRICE FOR CUSTOM COMPONENTS
PLEASE CALL FACTORY TO PLACE ORDERS FOR CUSTOM COMPONENTS

Fax completed Custom Order Form and rough sketch to 770.479.0176



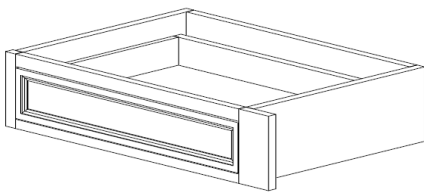
DRAWER WINGS

W	D	H		A	B	Prem Wood	
from 10" to 25"	custom	35	3 drawers	2021	2466	404	



DRAWER BANK

W	D	H		A	B	Prem Wood	
from 9" to 25"	custom	35	3 drawers	1820	2220	362	



BRIDGE

W	D	H		A	B	Prem Wood	
from 24" to 30"	custom	30	1 drawer	909	1110	182	

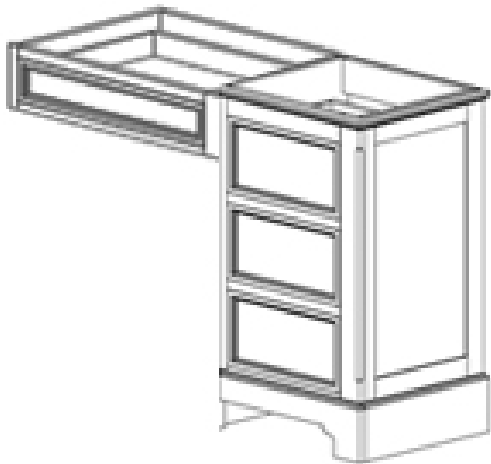
Bridge will give 23" of clearance under drawer as standard



BRIDGE WITH FINISHED END

W	D	H		A	B	Prem Wood	
from 27" to 32"	custom	30	1 drawer	1617	1973	323	

Bridge will give 23" of clearance under drawer as standard
 Privacy Panel is included



BRIDGE WITH DRAWER WING

W	D	H		A	B	Prem Wood	
from 37" to 50"	custom	30	4 drawers	3133	3822	626	

Bridge will give 23" of clearance under drawer as standard
 Privacy Panel is included

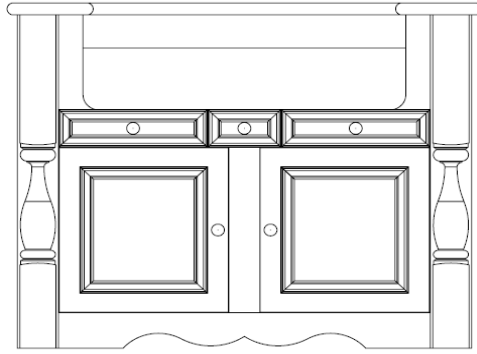
BUILD-IN APPLICATIONS

PROFESSIONAL INSTALLATION REQUIRED
 Overall width must be 4" less than space
 We will add filler strips to fill the gaps
 All Filler Strips are no charge

All Filler Strips are trimmable on site with proper tools
 All Filler Strips are Dry Screwed for shipping purposes

425 French Farmhouse

All measurements are overall without top



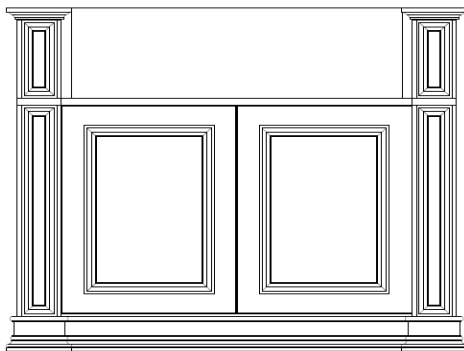
425 French Farmhouse

ITEM #	W	D	H	RECOMMENDED		A	B	Prem	
				BOWL SIZE				Wood	
425	44	25.75	34.5	farmsink		4129	5036	N/A	

Sink must be sent to the factory to ensure a proper fit.
Production can't begin until we receive the sink.

426 Tuscan Farmhouse

All measurements are overall without top



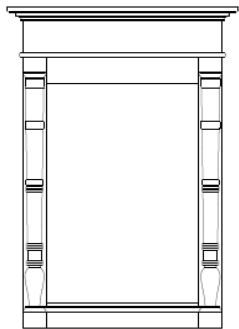
426 Tuscan Farmhouse

ITEM #	W	D	H	RECOMMENDED		A	B	Prem	
				BOWL SIZE				Wood	
426	47	25.75	34.5	farmsink		4245	5180	635	

Sink must be sent to the factory to ensure a proper fit.
Production can't begin until we receive the sink.

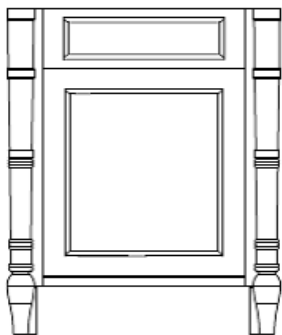
625 Bamboo

All measurements are overall without top



M-13 Bamboo Mirror

ITEM #	W	D	H	A	B	Prem	Beveled
						Wood	Glass
M-13	30.25	5	45.5	1380	1681	N/A	200

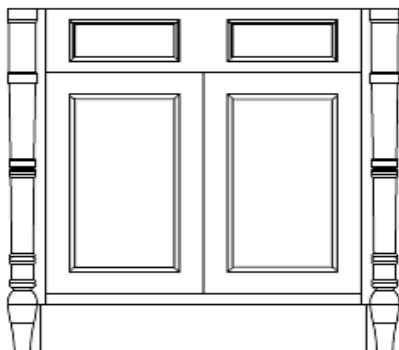


Bamboo Medicine Cabinet Surround

ITEM #	W	D	H	Robern Size	A	B	Prem	
							Wood	
MC-13-16	26.25	5	44	16 x 30	1334	1611	N/A	
MC-13-20	30.25	5	44	20 x 30	1380	1681	N/A	
MC-13-24	34.25	5	44	24 x 30	1426	1727	N/A	

624 Mini Bamboo

ITEM #	W	D	H	A	B	Prem
						Wood
624	25	22	32.75	2965	3614	N/A

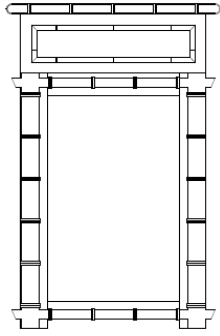


625 Bamboo

ITEM #	W	D	H	A	B	Prem
						Wood
625	33.5	22.75	32.75	3075	3735	N/A

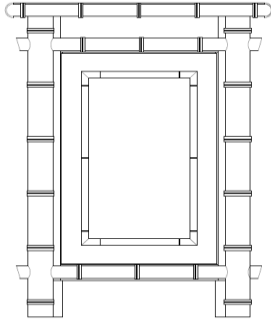
635 Tortuga

All measurements are overall without top



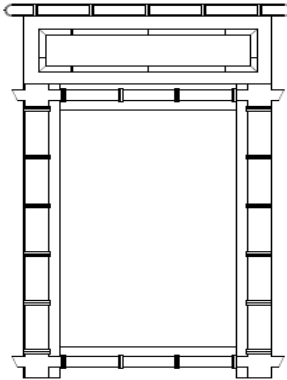
M-42 Mini Tortuga Mirror

ITEM #	W	D	H	A	B	Prem Wood	Beveled Glass
M-42	26	4	44	1438	1750	N/A	200



633 Mini Tortuga

ITEM #	W	D	H	A	B	Prem Wood	Maple Wood Top
633	25	22.25	33.25	2997	3656	N/A	549

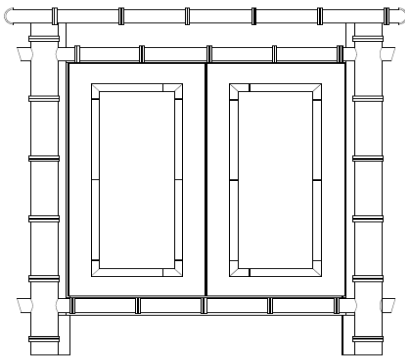


M-43 Tortuga Mirror

ITEM #	W	D	H	A	B	Prem Wood	Beveled Glass
M-43	30	4	44	1438	1750	N/A	200

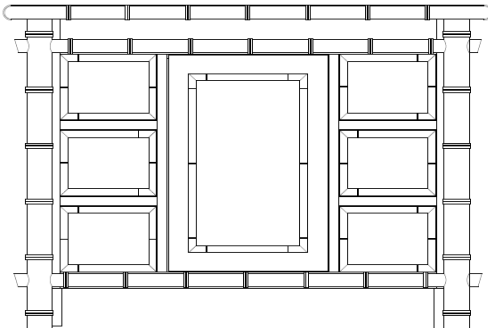
Tortuga Medicine Cabinet Surround

ITEM #	W	D	H	Robern Size	A	B	Prem Wood
MC-43-16	26	4	46	16 x 30	1392	1698	N/A
MC-43-20	30	4	46	20 x 30	1438	1750	N/A
MC-43-24	34	4	46	24 x 30	1484	1808	N/A



635 Tortuga

ITEM #	W	D	H	A	B	Prem Wood	Maple Wood Top
635	34	22.25	33.25	3228	3921	N/A	549



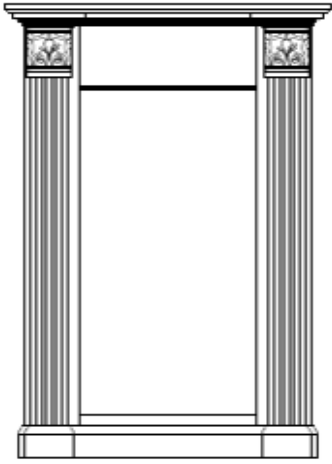
634 Tortuga with Wings

ITEM #	W	D	H	A	B	Prem Wood	Maple Wood Top
634	46.5	22.25	33.25	6347	7733	N/A	687

724 Corinthian

All measurements are overall without top

**WOOD
TOP INFO**
adds 3/4" to H
adds 1" to W
adds 1/2" to D

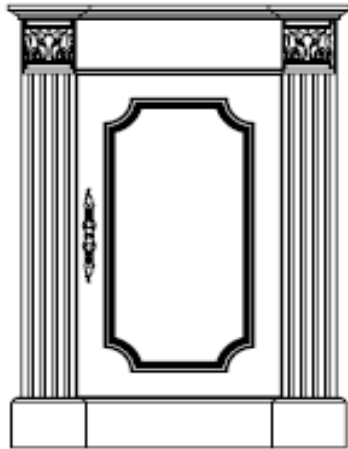


M-27 Mini Corinthian Mirror

ITEM #	W	D	H			A	B	Prem Wood	Beveled Glass
M-27	27.25	3.5	47			1380	1681	208	200

Mini Corinthian Medicine Cabinet Surround

ITEM #	W	D	H	Robern Size		A	B	Prem Wood	
MC-27-16	26.75	3.5	41	16 x 30		1334	1611	208	
MC-27-20	30.75	3.5	41	20 x 30		1380	1681	208	
MC-27-24	34.75	3.5	41	24 x 30		1426	1727	208	



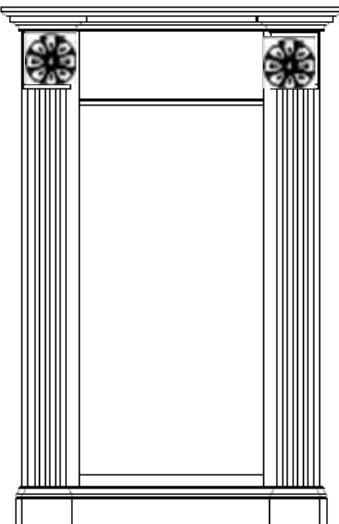
724 Corinthian

ITEM #	W	D	H			A	B	Prem Wood	
724	25	22.75	35.5			2541	3101	381	

824 Neo Classic

All measurements are overall without top

**WOOD
TOP INFO**
adds 3/4" to H
adds 1" to W
adds 1/2" to D



M-28 Mini Neo Classic Mirror

ITEM #	W	D	H			A	B	Prem Wood	Beveled Glass
M-28	27.25	3.5	47			1380	1681	208	202

Mini Neo Classic Medicine Cabinet Surround

ITEM #	W	D	H	Robern Size		A	B	Prem Wood	
MC-28-16	26.75	3.5	41	16 x 30		1334	1611	208	
MC-28-20	30.75	3.5	41	20 x 30		1380	1681	208	
MC-28-24	34.75	3.5	41	24 x 30		1426	1727	208	



824 Neo Classic

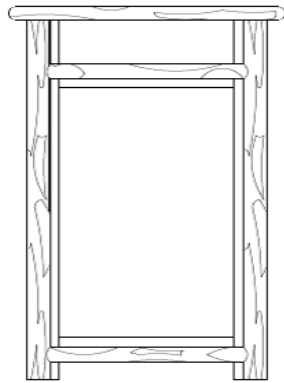
ITEM #	W	D	H			A	B	Prem Wood	
824	25	22.75	35.5			2541	3101	381	

940 Rustique

All measurements are overall without top

*This piece is only available in Northern White Cedar

WOOD TOP INFO
 adds 1 1/2" to H
 adds 4" to W
 adds 1" to D

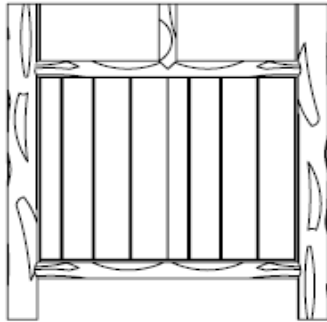


M-47 Rustique Mirror

ITEM #	W	D	H	A	B	Prem Wood	Beveled Glass
M-47	29	3.5	43.5	1438	1750	N/A	200

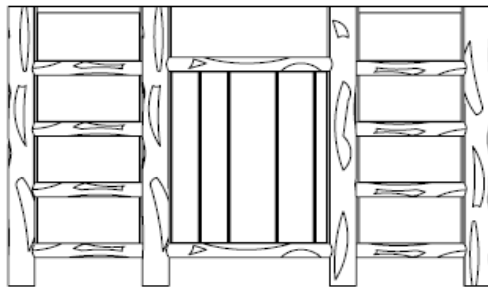
Rustique Medicine Cabinet Surround

ITEM #	W	D	H	Robern Size	A	B	Prem Wood
MC-47-16	25.5	3.5	43.75	16 x 30	1392	1698	N/A
MC-47-20	29.25	3.5	43.75	20 x 30	1438	1750	N/A
MC-47-24	33.25	3.5	43.75	24 x 30	1484	1808	N/A



940 Rustique

ITEM #	W	D	H	A	B	Prem Wood	Wood Top
940	32	23	34.5	2916	3557	N/A	650



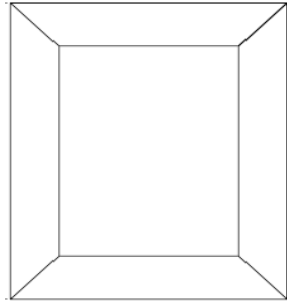
945 Rustique with Wings

ITEM #	W	D	H	DRAWER FACE	A	B	Prem Wood	Wood Top
945	54	23	34.5	11.5	6347	7733	N/A	750

1010 Sienna

All measurements are overall without top

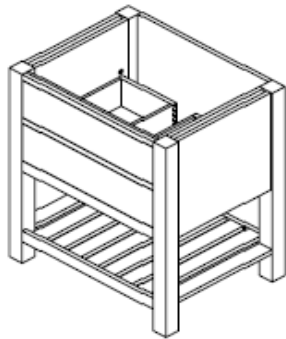
Sienna Mirrors



ITEM #	W	D	H	A	B	Prem Wood	Beveled Glass
1010-2016	26.5	0.75	41.25	915	1115	137	200
1010-2020	30.5	0.75	41.25	935	1140	140	200
1010-2024	34.5	0.75	41.25	955	1165	143	200

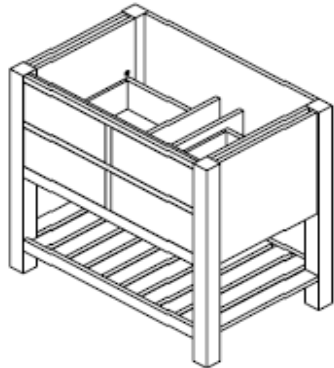
Sienna Medicine Cabinet Surrounds

ITEM #	W	D	H	A	B	Prem Wood	Beveled Glass
1010-2116	26.5	0.75	41.25	885	1080	133	N/A
1010-2120	30.5	0.75	41.25	905	1105	136	N/A
1010-2124	34.5	0.75	41.25	925	1129	139	N/A



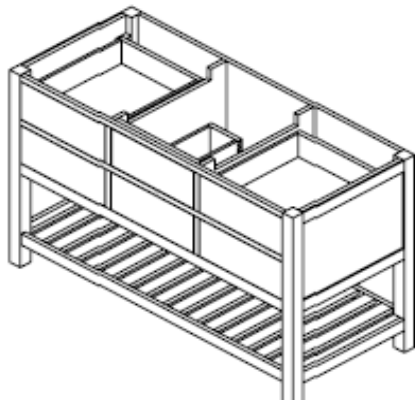
ITEM #	W	D	H	Drawer W	A	B	Prem Wood
1010-0124	24	23	35	20	2620	3197	525
1010-0130	30	23	35	26	2725	3323	546

False Top Drawer
Bottom drawer is split for plumbing



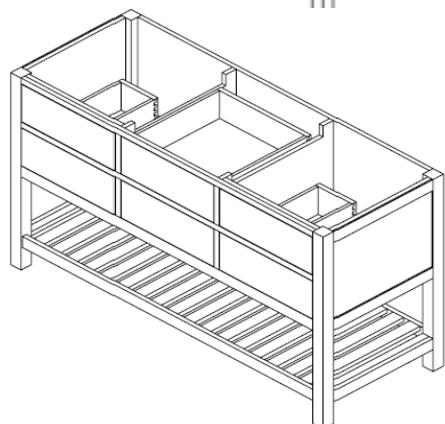
ITEM #	W	D	H	Drawer W	A	B	Prem Wood
1010-0236	36	23	35	15.5	3460	4221	693
1010-0242	42	23	35	18.5	3565	4347	714
1010-0248	48	23	35	21.5	3670	4478	735

False Top Drawers
Bottom Drawers are functional but leave space for plumbing in the center



ITEM #	W	D	H	Center Drw W	Outer Drw W	A	B	Prem Wood
1010-0554	54	23	35	15.5	17	4405	5371	882
1010-0560	60	23	35	18	18	4510	5502	903
1010-0566	66	23	35	20	20	4615	5628	924
1010-0572	72	23	35	22	22	4720	5759	945

Top center drawer is false
Bottom center drawer is split for plumbing
Drawers on left and right side are fully functional

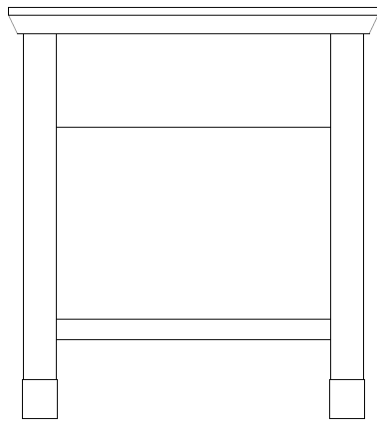


ITEM #	W	D	H	Drawer W	Outer Drw W	A	B	Prem Wood
1010-0760	60	23	35	18	18	4195	5119	840
1010-0766	66	23	35	20	20	4300	5245	861
1010-0772	72	23	35	22	22	4405	5371	882
1010-0778	78	23	35	24	24	4510	5502	903

Top left and top right drawer are false
Bottom left and bottom right drawer are split for plumbing
Center drawers are fully functional

1011 Durant

All measurements are overall without top



1011 Durant Vessel Table

ITEM #	W	D	H	A	B	Prem Wood
1011	25	22	29	2085	2525	418

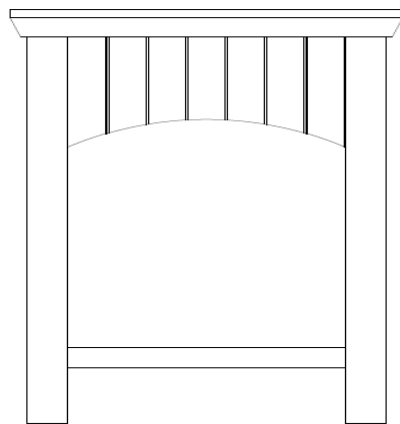
1011A Durant Table for Drop-In Bowl

1011A	25	22	33	2085	2525	418
-------	----	----	----	------	------	-----

1011 - includes a split pocket drawer - for vessel application

1011A - no drawer - for drop-in application

1012 Sierra



1012 Sierra Vessel Table

ITEM #	W	D	H	A	B	Prem Wood
1012	25	22	29	2085	2525	418

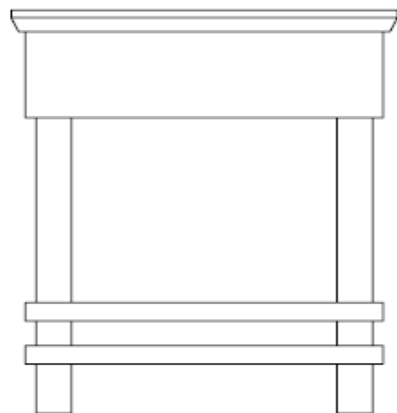
1012A Sierra Table for Drop-In Bowl

1012A	25	22	33	2085	2525	418
-------	----	----	----	------	------	-----

1012 - includes a split pocket drawer - for vessel application

1012A - no drawer - for drop-in application

1013 Keota



1013 Keota Vessel Table

ITEM #	W	D	H	A	B	Prem Wood
1013	25	22	29	2085	2525	418

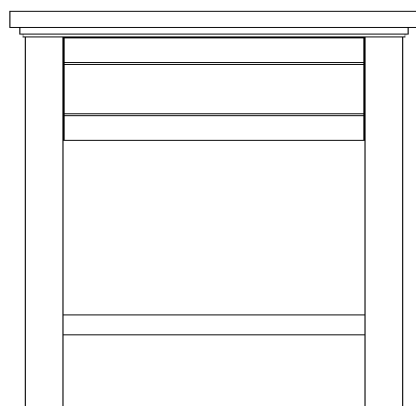
1013A Keota Table for Drop-In Bowl

1013A	25	22	33	2085	2525	418
-------	----	----	----	------	------	-----

1013 - includes a split pocket drawer - for vessel application

1013A - no drawer - for drop-in application

1014 Abilene



1014 Abilene Vessel Table

ITEM #	W	D	H	A	B	Prem Wood
1014	25	22	29	2085	2525	418

1014A Abilene Table for Drop-In Bowl

1014A	25	22	33	2085	2525	418
-------	----	----	----	------	------	-----

1014 - includes a split pocket drawer - for vessel application

1014A - no drawer - for drop-in application

1020 New Yorker

All measurements are overall without top
 Top Templates Available for all items
 *Designates piece shown in line drawing.

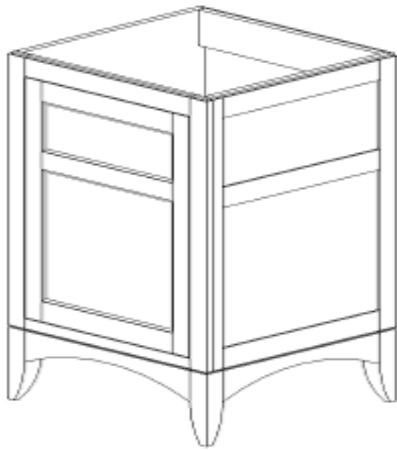
Single door cabinets hinge right
 Double sink vanities hinge on the outside



*This item is only 30"H for vessel sinks

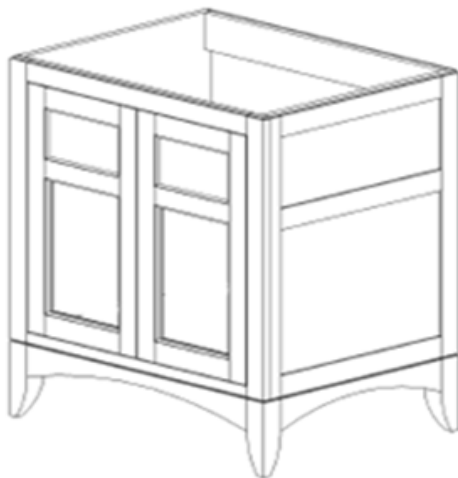
ITEM #	W	D	H	BOWL SIZE	A	B	Prem Wood
1020-0018	*18	18	30	Vessel	2651	3228	398

Wood panels top and bottom



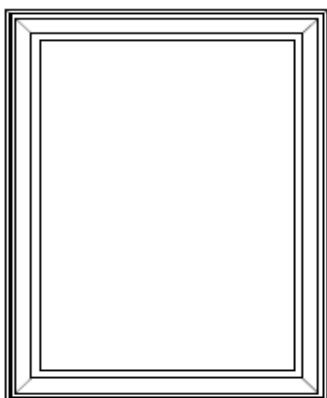
ITEM #	W	D	H	BOWL SIZE	A	B	Prem Wood
1020-0124	*24	21	34	17" x 14"	2766	3373	416

Wood panels top and bottom



ITEM #	W	D	H	BOWL SIZE	A	B	Prem Wood
1020-0230	*30	21	34	17" x 14"	2882	3517	433
1020-0236	36	21	34	17" x 14"	2997	3656	445

Wood panels top and bottom



Loft Mirrors

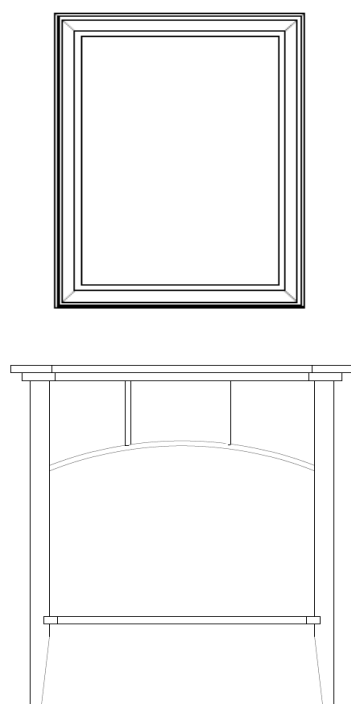
ITEM #	W	D	H	A	B	Prem Wood	Beveled Glass
1026-2016	19 3/8	1	34 1/2	930	1139	186	200
1026-2020	23 9/16	1	34 1/2	952	1161	190	200
1026-2024	27 9/16	1	34 1/2	974	1216	195	200

Loft Medicine Cabinet Surrounds

ITEM #	W	D	H	Robern Size	A	B	Prem Wood
1026-2116	19 3/8	1	34 1/2	16 x 30	897	1106	179
1026-2120	23 9/16	1	34 1/2	20 x 30	919	1128	184
1026-2124	27 9/16	1	34 1/2	24 x 30	941	1150	188

1022 Mission Table

All measurements are overall without top



Loft Mirrors

ITEM #	W	D	H	A	B	Prem Wood	Beveled Glass
1026-2016	19 3/8	1	34 1/2	930	1139	186	200
1026-2020	23 9/16	1	34 1/2	952	1161	190	200
1026-2024	27 9/16	1	34 1/2	974	1216	195	200

Loft Medicine Cabinet Surrounds

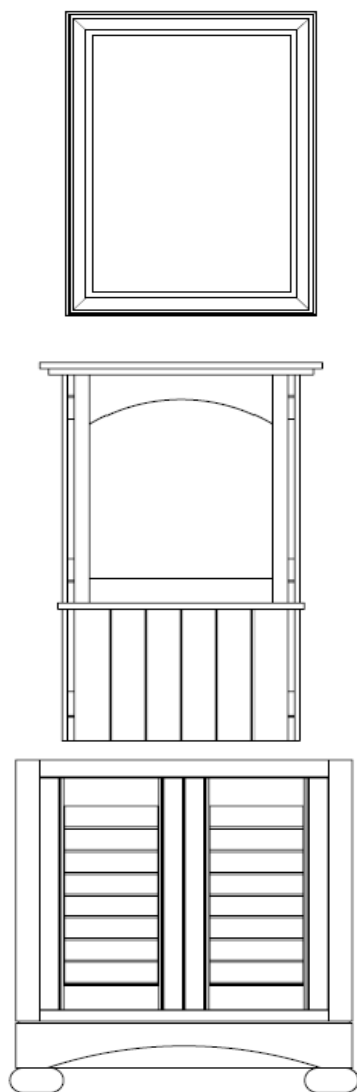
ITEM #	W	D	H	Robern Size	A	B	Prem Wood
1026-2116	19 3/8	1	34 1/2	16 x 30	897	1106	179
1026-2120	23 9/16	1	34 1/2	20 x 30	919	1128	184
1026-2124	27 9/16	1	34 1/2	24 x 30	941	1150	188

1022 Mission Table

ITEM #	W	D	H	A	B	Prem Wood
1022	29.5	22	33.25	1842	2246	370

1024 Cottage Shutter

All measurements are overall without top



Loft Mirrors

ITEM #	W	D	H	A	B	Prem Wood	Beveled Glass
1026-2016	19 3/8	1	34 1/2	930	1139	186	200
1026-2020	23 9/16	1	34 1/2	952	1161	190	200
1026-2024	27 9/16	1	34 1/2	974	1216	195	200

Loft Medicine Cabinet Surrounds

ITEM #	W	D	H	Robern Size	A	B	Prem Wood
1026-2116	19 3/8	1	34 1/2	16 x 30	897	1106	179
1026-2120	23 9/16	1	34 1/2	20 x 30	919	1128	184
1026-2124	27 9/16	1	34 1/2	24 x 30	941	1150	188

1025-HM Loft Hutch with Mirror

ITEM #	W	D	H	A	B	Prem Wood	Beveled Glass	
1025-HM	31	7	46	N/A	1496	1819	225	275

Includes 3" chase for plumbing.

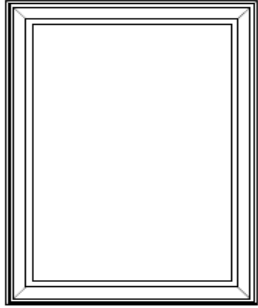
*Require special installation

1024 Cottage Shutter

ITEM #	W	D	H	A	B	Prem Wood
1024	28	21	30.25	2859	3575	N/A

1025 Loft

All measurements are overall without top

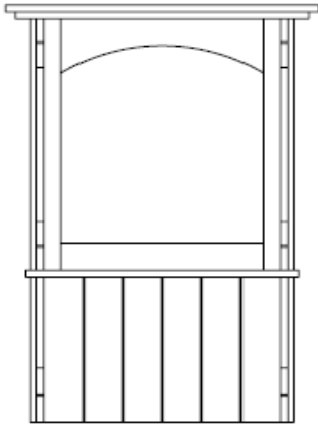


Loft Mirrors

ITEM #	W	D	H	A	B	Prem Wood	Beveled Glass
1026-2016	19 3/8	1	34 1/2	930	1139	186	200
1026-2020	23 9/16	1	34 1/2	952	1161	190	200
1026-2024	27 9/16	1	34 1/2	974	1216	195	200

Loft Medicine Cabinet Surrounds

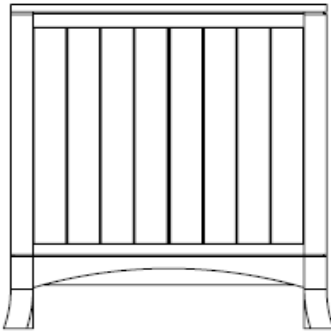
ITEM #	W	D	H	Robern Size	A	B	Prem Wood
1026-2116	19 3/8	1	34 1/2	16 x 30	897	1106	179
1026-2120	23 9/16	1	34 1/2	20 x 30	919	1128	184
1026-2124	27 9/16	1	34 1/2	24 x 30	941	1150	188



1025-HM Loft Hutch with Mirror

ITEM #	W	D	H	A	B	Prem Wood	Beveled Glass
1025-HM	31	7	46	N/A	1496	1819	225 275

Includes 3" chase for wall-mounted plumbing. No need to re-plumb the wall.



1025 Loft

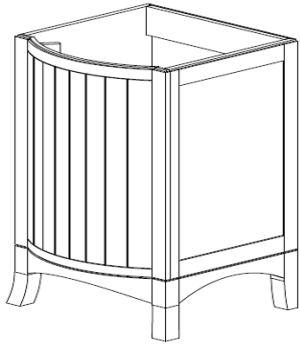
ITEM #	W	D	H	A	B	Prem Wood
1025	29 1/4	21 1/2	31 3/4	2651	3228	398

Flat Front Design.

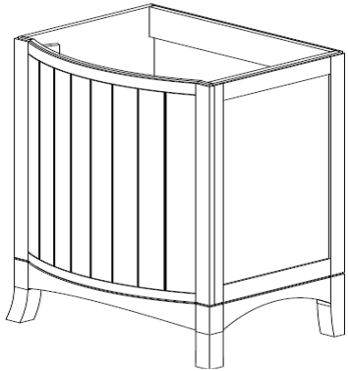
1026 Loft Bow Front

All measurements are overall without top
 Top Templates Available for all items
 *Designates piece shown in line drawing.

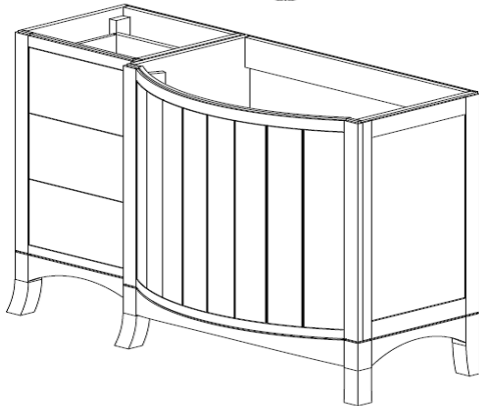
Single door cabinets hinge right
 Double sink vanities hinge on the outside



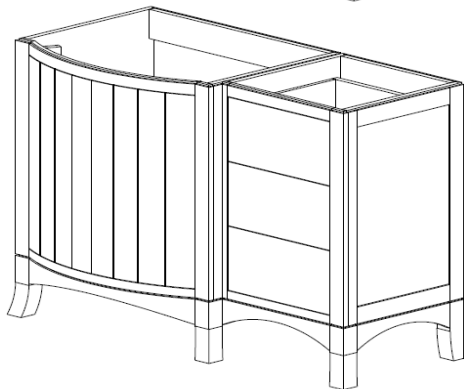
ITEM #	SINGLE DOOR			RECOMMENDED		A	B	Prem Wood
	W	D	H	BOWL SIZE				
1026-0124	*24	23	33	17" x 14"		2651	3228	530



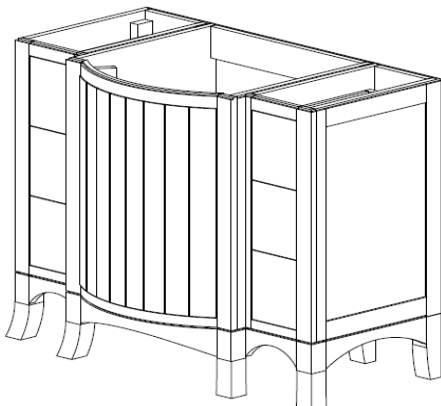
ITEM #	DOUBLE DOOR			RECOMMENDED		A	B	Prem Wood
	W	D	H	BOWL SIZE				
1026-0230	*30	23	33	17" x 14"		2766	3378	553
1026-0236	36	23	33	17" x 14"		2882	3517	576



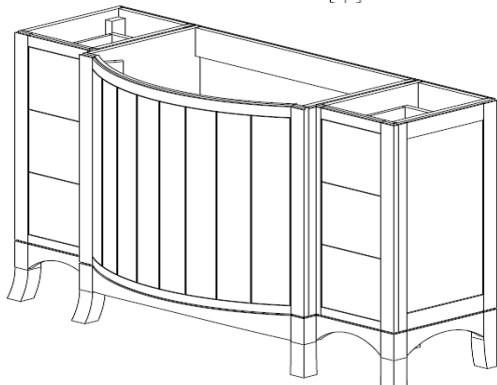
ITEM #	W	D	H	DOOR	DRAWER	A	B	Prem Wood
				SECTION	FACE			
1026-0336	36	23	33	24	9.25	4499	5480	900
1026-0342	42	23	33	30	9.25	4730	5769	946
1026-0348	48	23	33	30	15.25	4845	5908	969
1026-0354	*54	23	33	36	15.25	4961	6046	992



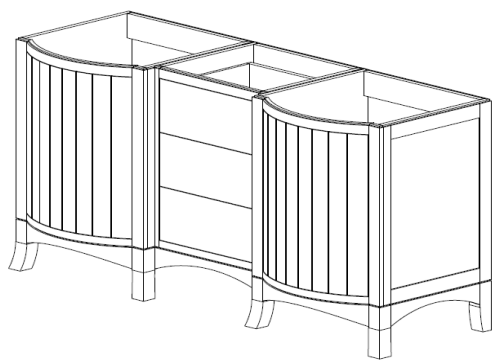
ITEM #	W	D	H	DOOR	DRAWER	A	B	Prem Wood
				SECTION	FACE			
1026-0436	36	23	33	24	9.25	4499	5480	900
1026-0442	42	23	33	30	9.25	4730	5769	946
1026-0448	*48	23	33	30	15.25	4845	5908	969
1026-0454	54	23	33	36	15.25	4961	6046	992



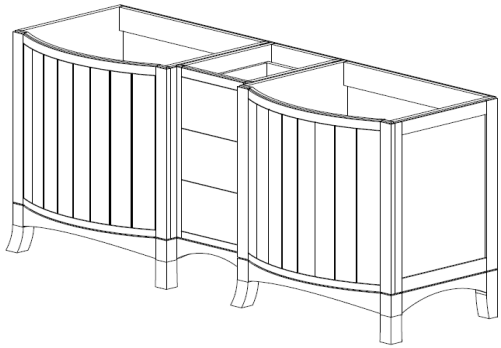
ITEM #	W	D	H	DOOR	DRAWER	A	B	Prem Wood
				SECTION	FACE			
1026-0542	*42	23	33	24	6.25	6809	8310	1362
1026-0548	48	23	33	24	9.25	6924	8449	1385



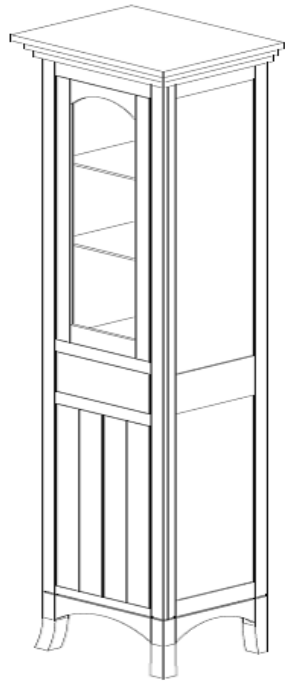
ITEM #	W	D	H	DOOR	DRAWER	A	B	Prem Wood
				SECTION	FACE			
1026-0654	54	23	33	30	9.25	7155	8726	1431
1026-0660	*60	23	33	36	9.25	7271	8865	1454
1026-0666	66	23	33	36	12.25	7386	9003	1477
1026-0672	72	23	33	36	15.25	7502	9153	1500



ITEM #	W	D	H	DOOR	DRAWER	Prem		Wood
				SECTION	FACE	A	B	
1026-0760	60	23	33	24	11.75	7155	8726	1431
1026-0766	*66	23	33	24	17.75	7271	8865	1454



ITEM #	W	D	H	DOOR	DRAWER	Prem		Wood
				SECTION	FACE	A	B	
1026-0872	*72	23	33	30	11.75	7502	9153	1500
1026-0878	78	23	33	30	17.75	7617	9292	1523



ITEM #	W	D	H	DOOR	DRAWER	Prem		Wood
					FACE	A	B	
1026-0924	*24	19	78	N/A	15	3806	4614	761

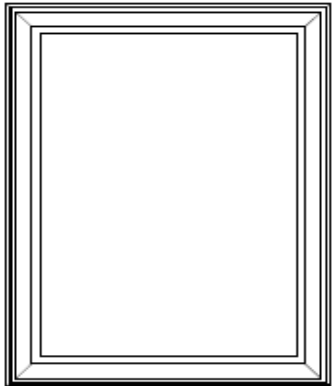
Includes:

1 drawer	2 glass shelves	Available Options	
1 halogen light	2 wood shelves	Hair Dryer / Curling Iron Holder	\$195
clear glass top door		Electrical Option	\$195

fluted glass, frosted glass and wood door panels are available - please contact the factory
888.479.4108

Loft Mirrors

ITEM #	W	D	H	A	B	Prem Wood	Beveled Glass		
1026-2016	19 3/8	1	34 1/2			930	1139	186	200
1026-2020	23 9/16	1	34 1/2			952	1161	190	200
1026-2024	27 9/16	1	34 1/2			974	1216	195	200



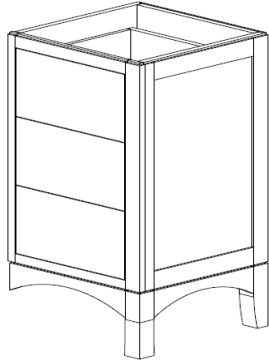
Loft Medicine Cabinet Surrounds

ITEM #	W	D	H	Robern Size	A	B	Prem Wood		
1026-2116	19 3/8	1	34 1/2	16 x 30			897	1106	179
1026-2120	23 9/16	1	34 1/2	20 x 30			919	1128	184
1026-2124	27 9/16	1	34 1/2	24 x 30			941	1150	188

Custom 1026 Loft Bow Front Add-on Components

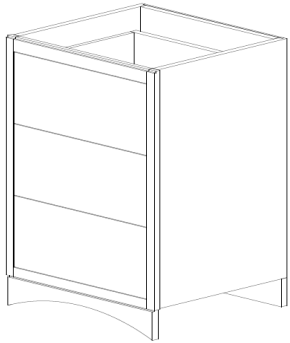
ESTIMATED PRICE FOR CUSTOM COMPONENTS
PLEASE CALL FACTORY TO PLACE ORDERS FOR CUSTOM COMPONENTS

Fax completed Custom Order Form and rough sketch to 770.479.0176



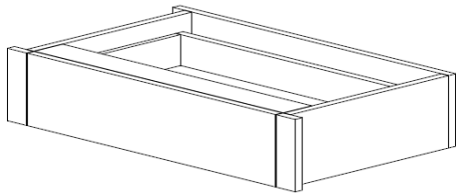
DRAWER WINGS

W	D	H		A	B	Prem Wood
from 9" to 24"	custom	33	3 drawers	2021	2466	404



DRAWER BANK

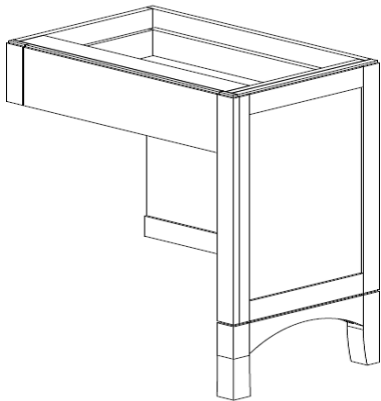
W	D	H		A	B	Prem Wood
from 9" to 24"	custom	33	3 drawers	1820	2220	362



BRIDGE

W	D	H		A	B	Prem Wood
from 24" to 30"	custom	30	1 drawer	909	1110	182

Bridge will give 24" of clearance under drawer as standard

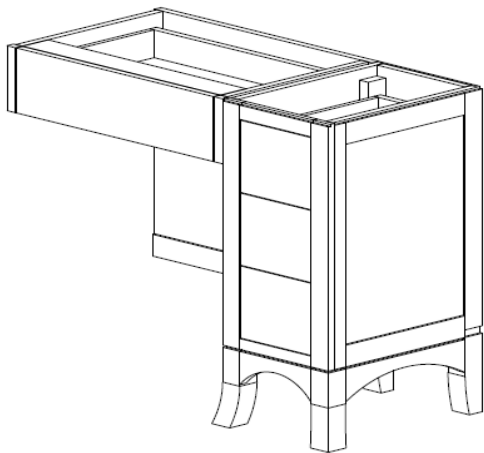


BRIDGE WITH FINISHED END

W	D	H		A	B	Prem Wood
from 26" to 32"	custom	30	1 drawer	1617	1973	323

Bridge will give 24" of clearance under drawer as standard

Privacy Panel is included



BRIDGE WITH DRAWER WING

W	D	H		A	B	Prem Wood
from 36" to 48"	custom	30	4 drawers	3133	3822	625

Bridge will give 24" of clearance under drawer as standard

Privacy Panel is included

BUILD-IN APPLICATIONS

PROFESSIONAL INSTALLATION REQUIRED

Overall width must be 4" less than space

We will add filler strips to fill the gaps

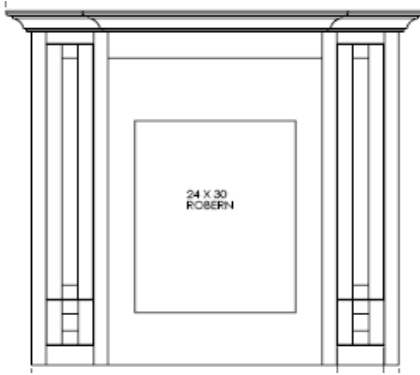
All Filler Strips are no charge

All Filler Strips are trimmable on site with proper tools

All Filler Strips are Dry Screwed for shipping purposes

1028 Holden

All measurements are overall without top



1028 Accessory Hutch

ITEM #	W	D	H	A	B	Prem Wood
1028-3054	58	15.5	54	5560	6778	840

This hutch includes two drawers at the bottom plus two accessory drawers concealed behind each door
Includes 2 50watt Halogen Lights

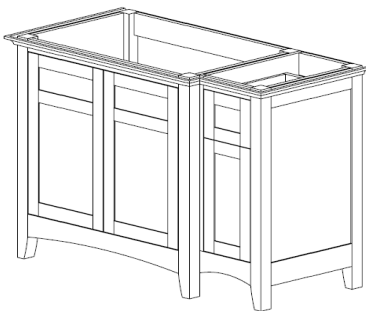


ITEM #	W	D	H	A	B	Prem Wood
1028-0224	24	23	34	2882	3518	431
1028-0230	30	23	34	2998	3659	452
1028-0236	30	23	34	3113	3796	467



ITEM #	W	D	H	DOOR SECTION	DRAWER FACE	A	B	Prem Wood
1028-0336	36	23	34	24	9.25	4090	4988	614
1028-0342	42	23	34	30	9.25	4195	5119	630
1028-0348	48	23	34	36	9.25	4300	5245	646
1028-0354	54	23	34	36	15.25	4405	5371	662

Wing is drawer over door



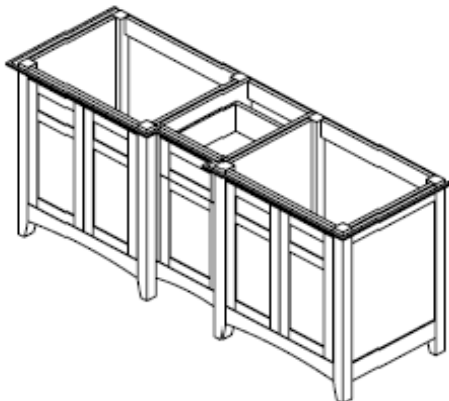
ITEM #	W	D	H	DOOR SECTION	DRAWER FACE	A	B	Prem Wood
1028-0436	36	23	34	24	9.25	4090	4988	614
1028-0442	42	23	34	30	9.25	4195	5119	630
1028-0448	48	23	34	36	9.25	4300	5245	646
1028-0454	54	23	34	36	15.25	4405	5371	662

Wing is drawer over door



ITEM #	W	D	H	DOOR SECTION	DRAWER FACE	A	B	Prem Wood
1028-0642	42	23	34	24	6.25	5035	6143	756
1028-0648	48	23	34	24	9.25	5140	6269	772
1028-0654	54	23	34	30	9.25	5245	6400	788
1028-0660	60	23	34	30	12.25	5350	6526	803
1028-0666	66	23	34	30	15.25	5455	6652	819
1028-0672	72	23	34	36	15.25	5560	6778	835
1028-0678	78	23	34	36	18.25	5665	6909	851

Wing is drawer over door

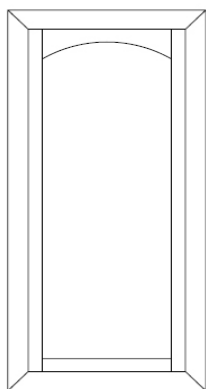


ITEM #	W	D	H	DOOR SECTION	DRAWER FACE	A	B	Prem Wood
1028-0872	72	23	34	30	13.125	5665	6909	851
1028-0878	78	23	34	30	19.125	5770	7035	866

Bank is drawer over door

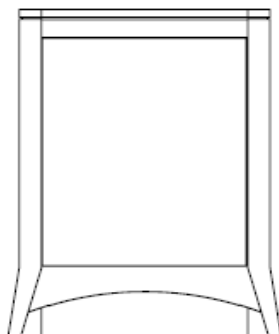
1030 Deja

All measurements are overall without top



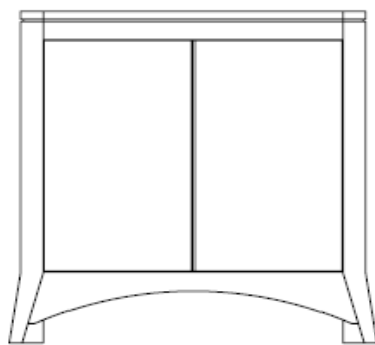
M-15 Shadowbox Mirror

ITEM #	W	D	H	A	B	Prem Wood	Beveled Glass
M-15	20.75	2.75	46	1207	1473	179	275



1029 Mini Deja

ITEM #	W	D	H	A	B	Prem Wood
1029	24	22	31.75	2939	3690	588

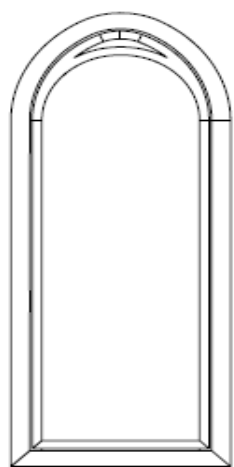


1030 Deja

ITEM #	W	D	H	A	B	Prem Wood
1030	32	22	31.75	3113	3794	623

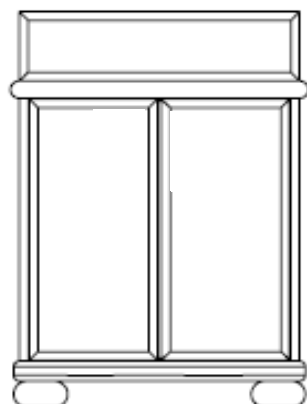
1035 Pueblo

All measurements are overall without top



M-24 Pueblo Mirror

ITEM #	W	D	H	A	B	Prem Wood	Beveled Glass
M-24	22	1.5	43	1380	1681	N/A	N/A

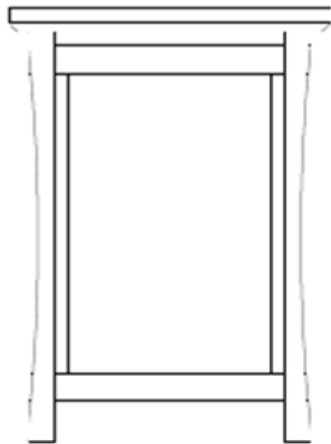


1035 Pueblo

ITEM #	W	D	H	A	B	Prem Wood
1035	25	22.25	34.25	3321	4037	N/A

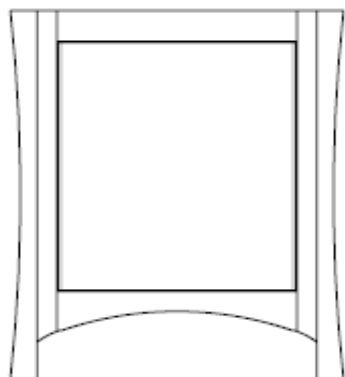
1040 Suko

All measurements are overall without top



M-14 Suko Mirror

ITEM #	W	D	H	A	B	Prem Wood	Beveled Glass
M-14	23.5	3.5	38	1380	1681	277	200



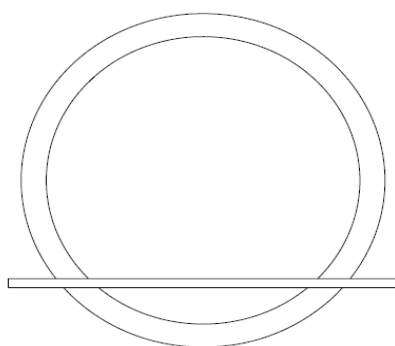
1040 Suko

ITEM #	W	D	H	A	B	Prem Wood
1040	24.5	21	30	2939	3575	589

1041 Artistry

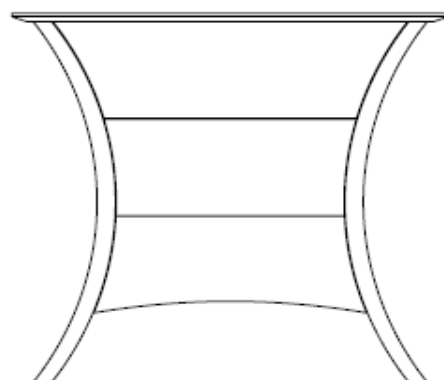
All measurements are overall without top

WOOD TOP INFO
 adds .75" to H
 adds 3.5" to W
 adds 3.25" to D



M-38 Sunrise Mirror

ITEM #	W	D	H	A	B	Prem Wood	Beveled Glass
M-38	30" shelf	5.5	28" DIA	1380	1681	208	N/A



1041 Artistry for Vessel

ITEM #	W	D	H	A	B	Prem Wood	Maple Wood Top
1041	30.5	20.75	33.25	4037	4926	606	695

*1041 includes 3 drawers with a split top drawer - for vessel application

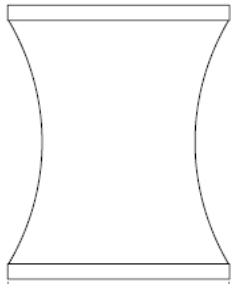
1041A Artistry for Drop-In Bowl

ITEM #	W	D	H	A	B	Prem Wood	Maple Wood Top
1041A	32.5	22.5	35	4037	4926	606	695

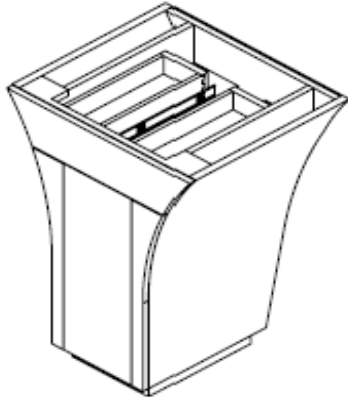
*1041A includes 2 drawers - for drop-in application

1043 Praise

All measurements are overall without top

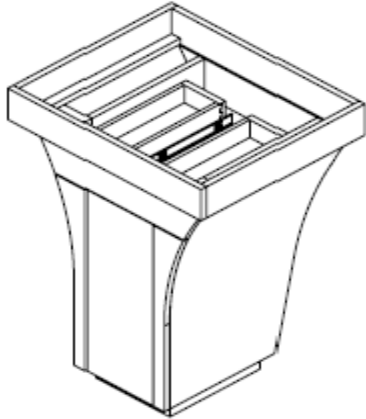


ITEM #	W	D	H	A	B	Prem Wood	Beveled Glass
1043-2024	26.25	1	34.75	985	1205	149	N/A



ITEM #	W	D	H	A	B	Prem Wood
1043-0024	24	21	31	3185	3884	479

Designed for Vessel Application

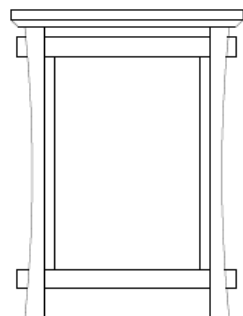


ITEM #	W	D	H	A	B	Prem Wood
1043-0124	26	22	35	3295	4018	495

Designed for Drop-in or Undermount Application

1045 Nikko

All measurements are overall without top



M-16 Nikko Mirror

ITEM #	W	D	H	A	B	Prem Wood	Beveled Glass
M-16	23.5	3.5	38	1380	1681	277	200

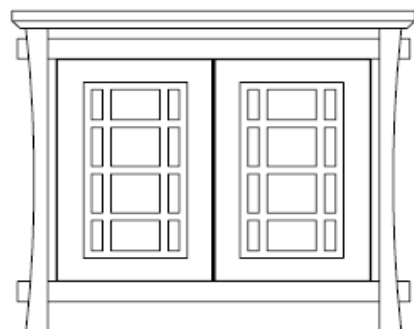
Nikko Medicine Cabinet Surround

ITEM #	W	D	H	Roborn Size	A	B	Prem Wood
MC-16-16	23.25	3.5	37.75	16 x 30	1334	1611	277
MC-16-20	27.25	3.5	37.75	20 x 30	1380	1681	277
MC-16-24	31.25	3.5	37.75	24 x 30	1426	1727	277



1045 Mini Nikko

ITEM #	W	D	H	A	B	Prem Wood
1045	26	22.75	30	2766	3378	554

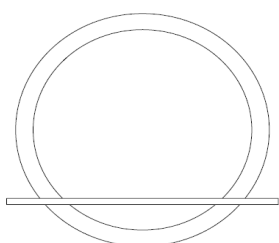


1046 Nikko

ITEM #	W	D	H	A	B	Prem Wood
1046	35	22.75	30	3228	3921	641

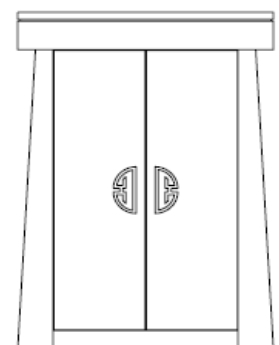
1047 Migoto

All measurements are overall without top



M-38 Sunrise Mirror

ITEM #	W	D	H	A	B	Prem Wood	Beveled Glass
M-38	30" shelf	5.5	28" DIA	1380	1681	208	N/A

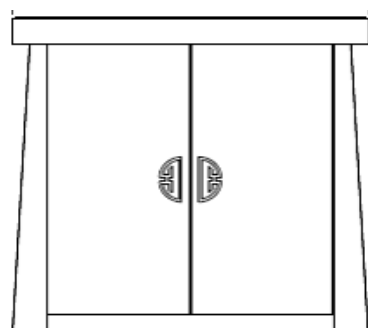


1047 Mini Migoto

ITEM #	W	D	H	A	B	Prem Wood
1047	25	22	35.25	2997	3656	601

*Includes 3.25" sub-top

*If using a 3-4" stone top from another source please order without sub-top



1048 Migoto

ITEM #	W	D	H	A	B	Prem Wood
1048	36	23.75	35.25	3344	4071	664

*Includes 3.25" sub-top

*If using a 3-4" stone top from another source please order without sub-top

1050 Pavilion

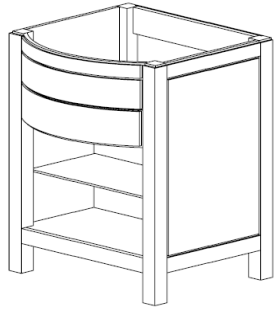
All measurements are overall without top

Top Templates Available for all items

*Designates piece shown in line drawing.

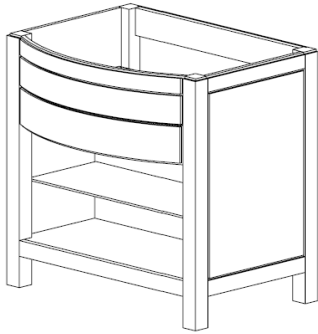
Single door cabinets hinge right

Double sink vanities hinge on the outside



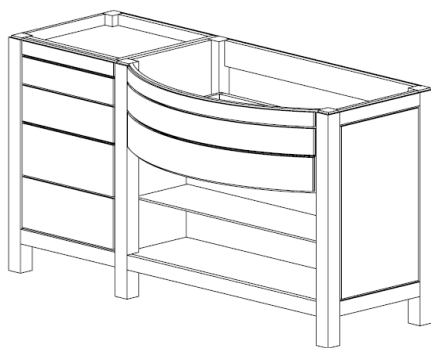
SINGLE DOOR				RECOMMENDED				Prem Wood	
ITEM #	W	D	H	BOWL SIZE	A	B			
1050-0124	*24	23	32	17" x 14"	2304	2812	461		

*Includes one pull out apron with 2 pocket drawers



DOUBLE DOOR				RECOMMENDED				Prem Wood	
ITEM #	W	D	H	BOWL SIZE	A	B			
1050-0230	*30	23	32	17" x 14"	2420	2951	484		
1050-0236	36	23	32	17" x 14"	2535	3090	507		

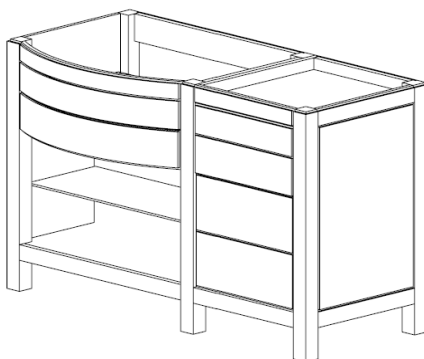
*Includes one pull out apron with 2 pocket drawers



ITEM #	W	D	H	DOOR	DRAWER	A	B	Prem Wood	
				SECTION	FACE				
1050-0336	36	23	32	24	10	3921	4787	784	
1050-0342	42	23	32	30	10	4037	4926	807	
1050-0348	48	23	32	30	16	4152	5065	830	
1050-0354	*54	23	32	36	16	4268	5203	854	

*Includes one pull out apron with 2 pocket drawers

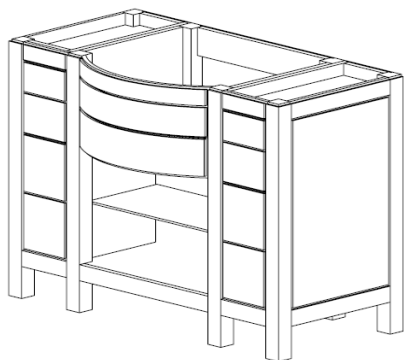
*Each wing has 2 drawers



ITEM #	W	D	H	DOOR	DRAWER	A	B	Prem Wood	
				SECTION	FACE				
1050-0436	36	23	32	24	10	3921	4787	784	
1050-0442	42	23	32	30	10	4037	4926	807	
1050-0448	*48	23	32	30	16	4152	5065	830	
1050-0454	54	23	32	36	16	4268	5203	854	

*Includes one pull out apron with 2 pocket drawers

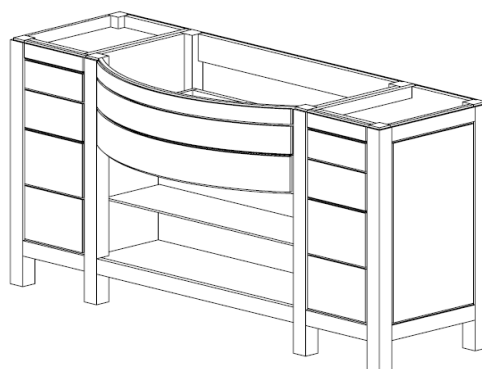
*Each wing has 2 drawers



ITEM #	W	D	H	DOOR	DRAWER	A	B	Prem Wood	
				SECTION	FACE				
1050-0542	*42	23	32	24	7	4961	6046	992	
1050-0548	48	23	32	24	10	5076	6197	1015	

*Includes one pull out apron with 2 pocket drawers

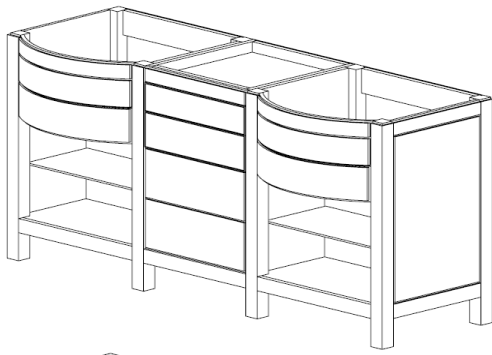
*Each wing has 2 drawers



ITEM #	W	D	H	DOOR	DRAWER	A	B	Prem Wood	
				SECTION	FACE				
1050-0654	54	23	32	30	10	5192	6335	1038	
1050-0660	*60	23	32	36	10	5423	6612	1085	
1050-0666	66	23	32	36	13	5538	6757	1108	
1050-0672	72	23	32	36	16	5654	6901	1131	

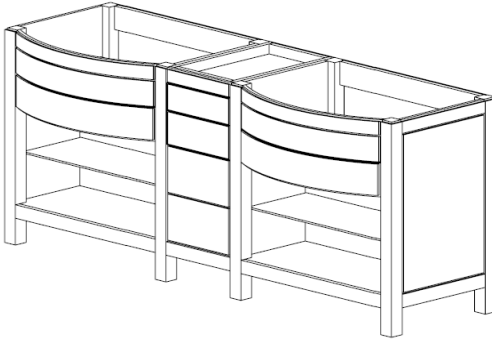
*Includes one pull out apron with 2 pocket drawers

*Each wing has 2 drawers



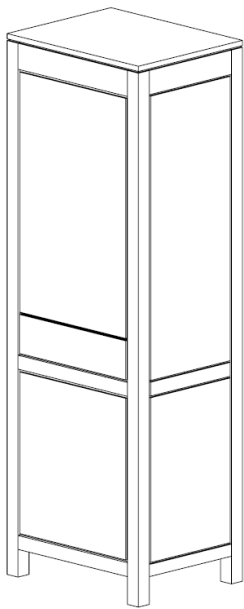
ITEM #	W	D	H	DOOR	DRAWER			Prem	
				SECTION	FACE	A	B	Wood	
1050-0760	60	23	32	24	12	5538	6757	1108	
1050-0766	*66	23	32	24	18	5654	6901	1131	

*Includes two pull out aprons with 2 pocket drawers
 *Each bank has 2 drawers



ITEM #	W	D	H	DOOR	DRAWER			Prem	
				SECTION	FACE	A	B	Wood	
1050-0872	*72	23	32	30	12	5769	7040	1154	
1050-0878	78	23	32	30	18	5885	7178	1177	

*Includes two pull out aprons with 2 pocket drawers
 *Each bank has 2 drawers



ITEM #	W	D	H	DRAWER				Prem	
				FACE	A	B	Wood		
1050-0924	*24	19	78	20	3344	4083	669		

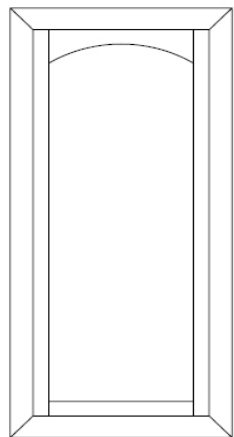
Includes:

1 drawer 4 wood shelves

Available Options

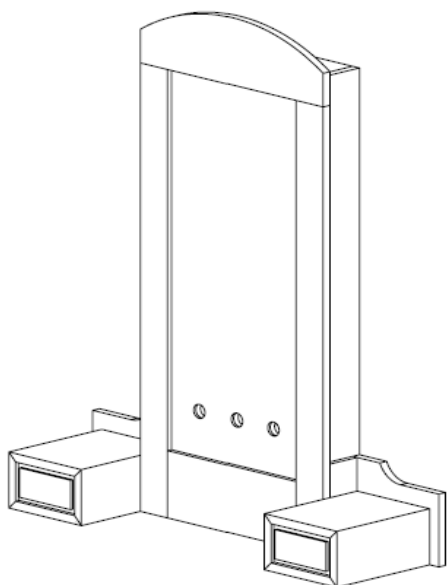
Hair Dryer / Curling Iron Holder \$195
 Electrical Option \$195

lighting, fluted glass, frosted glass and wood door panels are available - please contact the factory
 888.479.4108



M-15 Shadowbox Mirror

ITEM #	W	D	H			Prem	Beveled
				A	B	Wood	Glass
M-15	20.75	2.75	46	1207	1473	179	200



Pavilion Waterfall Hutch

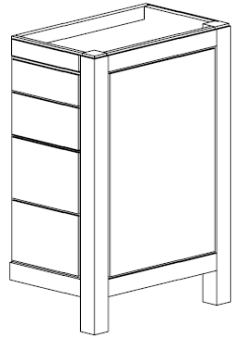
ITEM #	W	D	H	DRAWER				Prem	Beveled
				FACE	A	B	Wood	Glass	
1050-2228	38	11	46	6.5	2189	2651	438	329	

Includes 3" chase to run plumbing to faucet from existing water supply
 Intended for retro-fit wall mount faucet applications
 Includes clamps for faucet installation
 Please specify hole location, spread and height from vanity top
 Standard Faucet Configuration- 3 hole 8" cc 10" H dia = 1 3/8"

Custom 1050 Pavilion Add-on Components

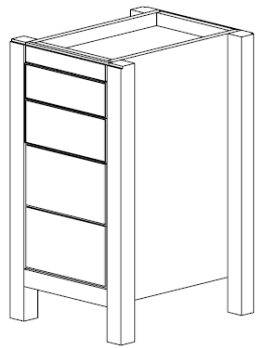
ESTIMATED PRICE FOR CUSTOM COMPONENTS
PLEASE CALL FACTORY TO PLACE ORDERS FOR CUSTOM COMPONENTS

Fax completed Custom Order Form and rough sketch to 770.479.0176



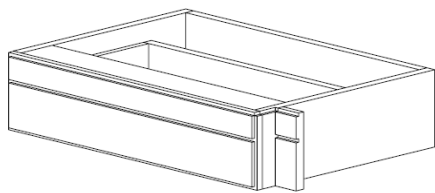
DRAWER WINGS

W	D	H	A	B	Prem Wood		
from 9" to 24"	custom	33	2 drawers	2100	2562	420	



DRAWER BANK

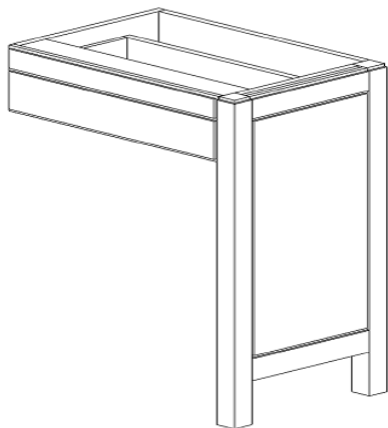
W	D	H	A	B	Prem Wood		
from 9" to 24"	custom	33	2 drawers	1890	2306	378	



BRIDGE

W	D	H	A	B	Prem Wood		
from 24" to 36"	custom	30	1 drawer	1149	1403	230	

Bridge will give 23" of clearance under drawer as standard

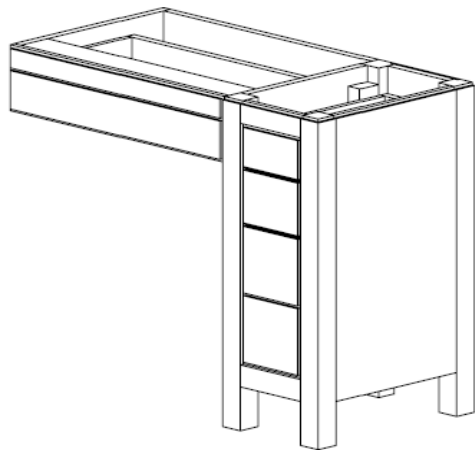


BRIDGE WITH FINISHED END

W	D	H	A	B	Prem Wood		
from 26" to 38"	custom	30	1 drawer	2304	2812	415	

Bridge will give 23" of clearance under drawer as standard

Privacy Panel is included



BRIDGE WITH DRAWER WING

W	D	H	A	B	Prem Wood		
from 36" to 48"	custom	30	3 drawers	3459	4222	646	

Bridge will give 23" of clearance under drawer as standard

Privacy Panel is included

BUILD-IN APPLICATIONS

PROFESSIONAL INSTALLATION REQUIRED

Overall width must be 4" less than space

We will add filler strips to fill the gaps

All Filler Strips are no charge

All Filler Strips are trimmable on site with proper tools

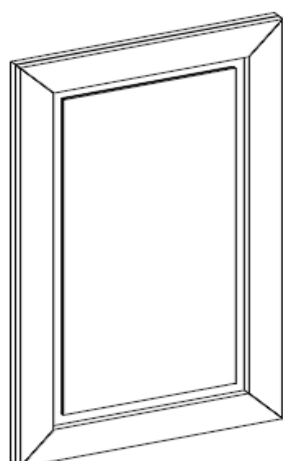
All Filler Strips are Dry Screwed for shipping purposes

1055 Dylan

All measurements are overall without top

Top Templates Available for all items

*Designates piece shown in line drawing.

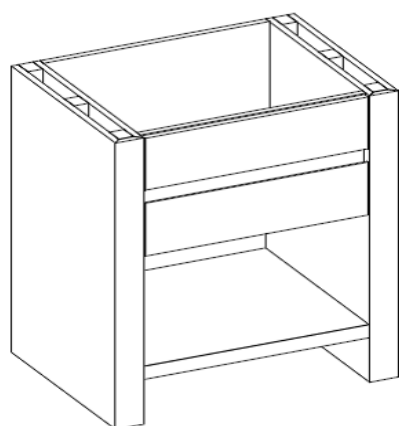


Dylan Mirrors

ITEM #	W	D	H	A	B	Prem Wood	Beveled Glass
1055-2016	23.25	1.5	38	976	1195	195	200
1055-2020	27.25	1.5	38	999	1219	200	200
1055-2024	31.25	1.5	38	1022	1276	204	200

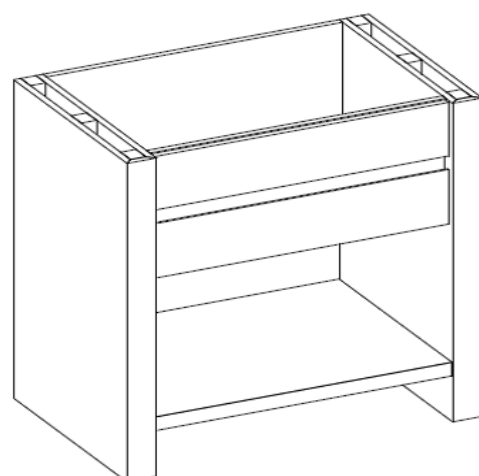
Dylan Medicine Cabinet Surrounds

ITEM #	W	D	H	Robern Size	A	B	Prem Wood
1055-2116	23.25	1.5	38	16 x 30	941	1161	188
1055-2120	27.25	1.5	38	20 x 30	964	1184	193
1055-2124	31.25	1.5	38	24 x 30	988	1207	198



ITEM #	W	D	H	A	B	Prem Wood
1055-0129	29	21.5	32.5	2961	3612	446

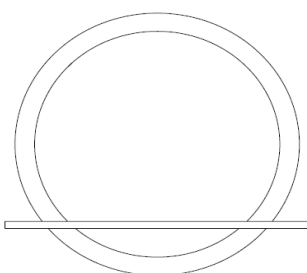
*1055-0129 designed to fit Stone Forest Sink 30" x 22" x 3.25"



ITEM #	W	D	H	A	B	Prem Wood
1055-0124	24	23	35	2830	3452	425
1055-0130	30	23	35	2961	3612	446
1055-0136	36	23	35	3092	3775	462

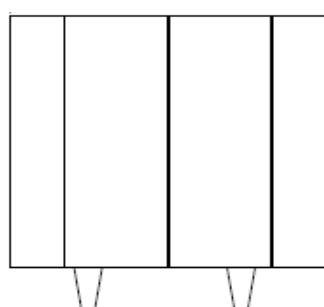
1060 Brava

All measurements are overall without top



M-38 Sunrise Mirror

ITEM #	W	D	H	A	B	Prem Wood	Beveled Glass
M-38	30" shelf	5.5	28" DIA	1380	1681	208	300



1060 Brava

ITEM #	W	D	H	A	B	Prem Wood
1060	30	24	34	3228	3921	347

1060A Brava for Vessel

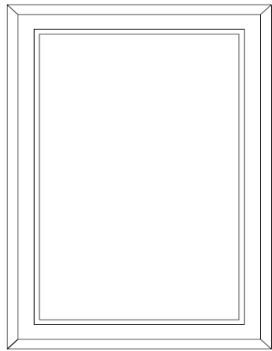
1060A	30	24	30	3228	3921	347
-------	----	----	----	------	------	-----

*1060A is designed for vessel applications

1070 Matthew

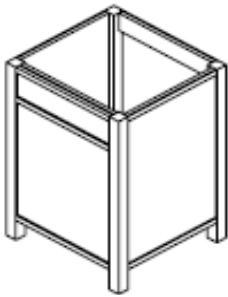
All measurements are overall without top

Matthew Mirrors



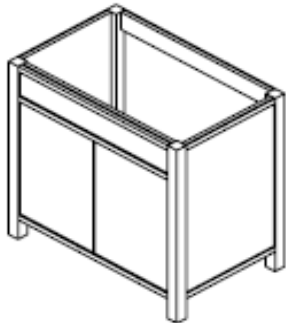
ITEM #	W	D	H	A	B	Prem Wood	Beveled Glass
1070-2016	21.5	1	36.25	887	1087	177	200
1070-2020	25.5	1	36.25	908	1108	182	200
1070-2024	29.5	1	36.25	929	1160	186	200

Matthew Medicine Cabinets

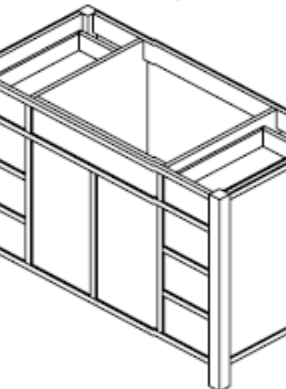


ITEM #	W	D	H	A	B	Prem Wood
1070-2116	21.5	1	36.25	856	1055	171
1070-2120	25.5	1	36.25	877	1076	175
1070-2124	29.5	1	36.25	898	1097	180

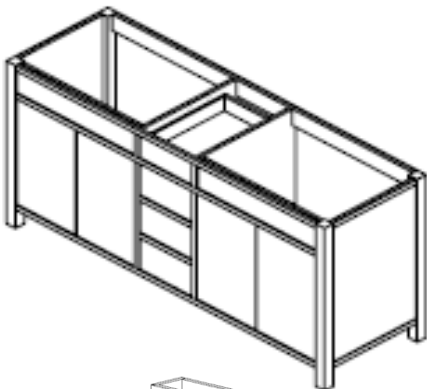
Matthew Vanity



ITEM #	W	D	H	DoorW	A	B	Prem Wood
1070-0124	24	23	35	20	2620	3197	525



ITEM #	W	D	H	DoorW	A	B	Prem Wood
1070-0230	30	23	35	26	2725	3323	546
1070-0236	36	23	35	32	2830	3449	567
1070-0242	42	23	35	38	2935	3581	588

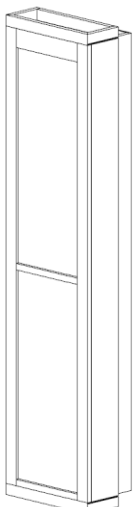


ITEM #	W	D	H	DoorW	DrawerW	A	B	Prem Wood
1070-0542	42	23	35	22	7	4825	5885	966

ITEM #	W	D	H	DoorW	DrawerW	A	B	Prem Wood
1070-0648	48	23	35	22	10	4930	6011	987
1070-0654	54	23	35	28	10	5035	6143	1008
1070-0660	60	23	35	34	10	5140	6269	1029
1070-0666	66	23	35	34	13	5245	6400	1050
1070-0672	72	23	35	34	16	5245	6400	1050
1070-0678	78	23	35	34	19	5350	6526	1071

ITEM #	W	D	H	DoorW	DrawerW	A	B	Prem Wood
1070-0760	60	23	35	21	12	4825	5875	966
1070-0766	66	23	35	21	18	4930	6017	987
1070-0872	72	23	35	27	12	5035	6143	1008
1070-0878	78	23	35	27	18	5140	6269	1029

Partially Recessed Medicine Tower



ITEM #	W	D	H	A	B	Prem Wood
1070-1024	15.75	6	75.5	3459	4222	520

designed to fit between two studs 16"cc

Includes:

- Wood Doors
- 2 adjustable wood shelves
- 2 adjustable glass shelves
- Mirrored Upper Door Back
- Mirrored Back
- Halogen Light

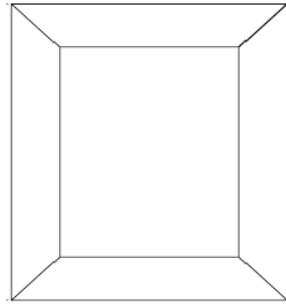
Available Options

- Hair Dryer / Curling Iron Holder \$195
- Electrical Option \$195

1090 Barrett

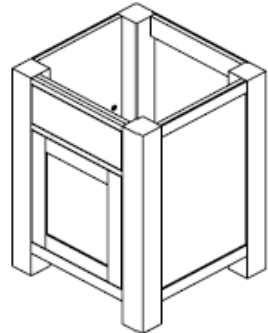
All measurements are overall without top

Sienna Mirrors



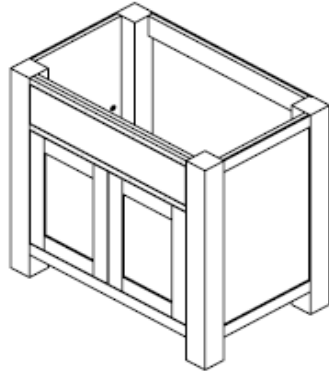
ITEM #	W	D	H	A	B	Prem Wood	Beveled Glass
1010-2016	26.5	0.75	41.25	915	1115	137	200
1010-2020	30.5	0.75	41.25	935	1140	140	200
1010-2024	34.5	0.75	41.25	955	1165	143	200

Sienna Medicine Cabinet Surrounds

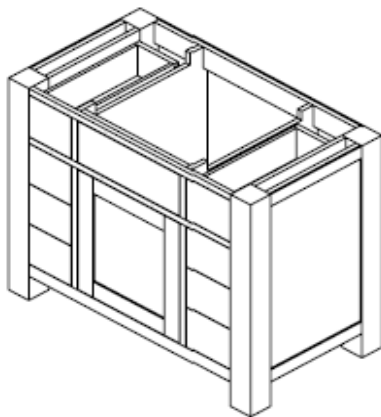


ITEM #	W	D	H	A	B	Prem Wood
1010-2116	26.5	0.75	41.25	885	1080	133
1010-2120	30.5	0.75	41.25	905	1105	136
1010-2124	34.5	0.75	41.25	925	1129	139

ITEM #	W	D	H	DoorW	A	B	Prem Wood
1090-0124	24	23	35	17	2830	3449	567

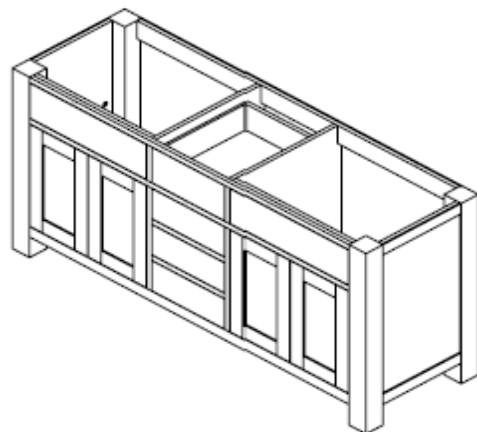


ITEM #	W	D	H	DoorW	A	B	Prem Wood
1090-0230	30	23	35	23	2935	3575	588
1090-0236	36	23	35	29	3040	3707	609
1090-0242	42	23	35	35	3145	3838	630



ITEM #	W	D	H	DoorW	DrawerW	A	B	Prem Wood
1090-0542	42	23	35	18	7.5	5385	6567	1078
1090-0548	48	23	35	18	10.5	5495	6705	1100

ITEM #	W	D	H	DoorW	DrawerW	A	B	Prem Wood
1090-0654	54	23	35	24	10.5	5605	6837	1122
1090-0660	60	23	35	24	13.5	5715	6969	1144
1090-0672	72	23	35	30	16.5	5825	7106	1166
1090-0678	78	23	35	36	16.5	5935	7238	1188



ITEM #	W	D	H	DoorW	DrawerW	A	B	Prem Wood
1090-0760	60	23	35	17	17	5055	6155	1012

ITEM #	W	D	H	DoorW	DrawerW	A	B	Prem Wood
1090-0866	66	23	35	22	13	5165	6303	1034
1090-0872	72	23	35	24	15	5275	6435	1056
1090-0878	78	23	35	24	21	5385	6567	1078

1120 Warson

All measurements are overall without top

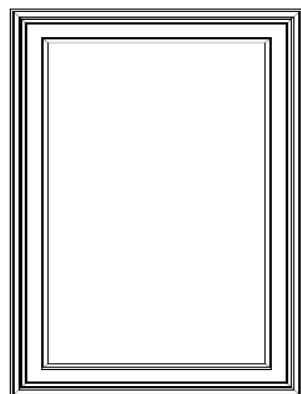
Top Templates Available for all items

*Designates piece shown in line drawing.

Single door cabinets hinge right

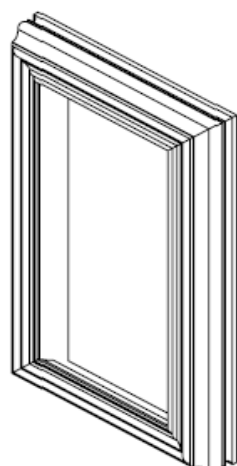
Double sink vanities hinge on the outside

Landscape Mirrors



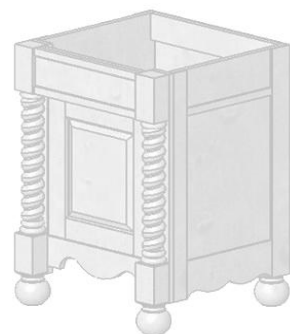
ITEM #	W	D	H		A	B	Prem Wood	Beveled Glass
1225-2016	23 1/2	1 3/4	38 1/4	N/A	985	1194	197	200
1225-2020	27 1/2	1 3/4	38 1/4	N/A	1007	1227	201	200
1225-2024	31 1/2	1 3/4	38 1/4	N/A	1029	1249	206	200

Landscape Medicine Cabinet Surrounds



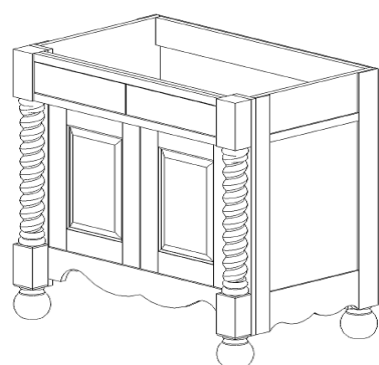
ITEM #	W	D	H	Robern Size	A	B	Prem Wood
1225-2116	23 1/2	1 3/4	38 1/4	16 x 30	952	1161	190
1225-2120	27 1/2	1 3/4	38 1/4	20 x 30	974	1183	195
1225-2124	31 1/2	1 3/4	38 1/4	24 x 30	996	1216	199

Surface Mounted Medicine Surround



ITEM #	W	D	H	Robern Size	A	B	Prem Wood
100-2116	21.75	4.5	36.5	16 x 30	687	837	N/A
100-2120	25.75	4.5	36.5	20 x 30	710	860	N/A
100-2124	29.75	4.5	36.5	24 x 30	733	884	N/A

SINGLE DOOR RECOMMENDED



ITEM #	W	D	H	BOWL SIZE	A	B	Prem Wood
1120-0124	24	23	34	17" x 14"	3344	4083	N/A

Drawer does not function

DOUBLE DOOR RECOMMENDED

ITEM #	W	D	H	BOWL SIZE	A	B	Prem Wood
1120-0230	30	23	34	17" x 14"	3459	4222	N/A
1120-0236	*36	23	34	17" x 14"	3575	4383	N/A
1120-0242	42	23	34	17" x 14"	3690	4499	N/A

Drawers do not function

1125 Peter Stewart

All measurements are overall without top



1125 Peter Stewart

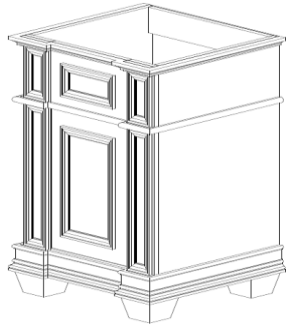
ITEM #	W	D	H		A	B	Prem Wood
1125	42	23	33		3495	4265	N/A

Drawers do not function

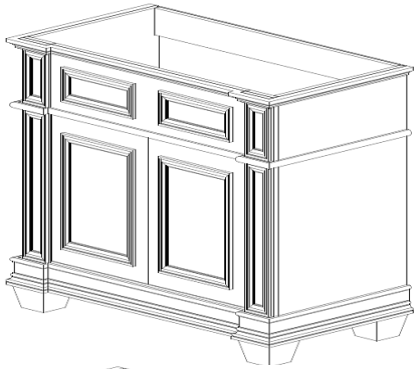
1225 Tuscan

All measurements are overall without top
 Top Templates Available for all items
 *Designates piece shown in line drawing.

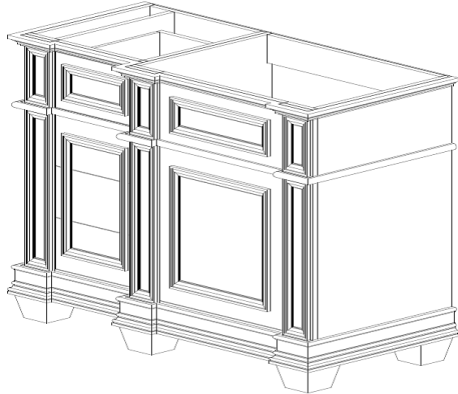
Single door cabinets hinge right
 Double sink vanities hinge on the outside



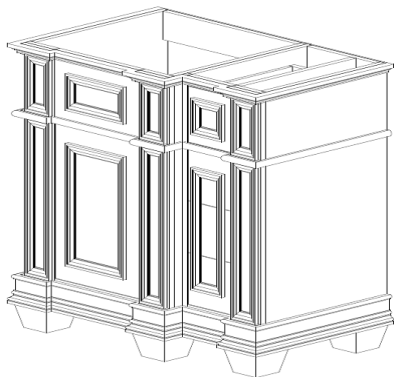
ITEM #	SINGLE DOOR			RECOMMENDED		A	B	Prem Wood
	W	D	H	BOWL SIZE				
1225-0124	*24	23	35	17" x 14"		3185	3889	637
1225-0130	30	23	35	17" x 14"		3295	4021	659



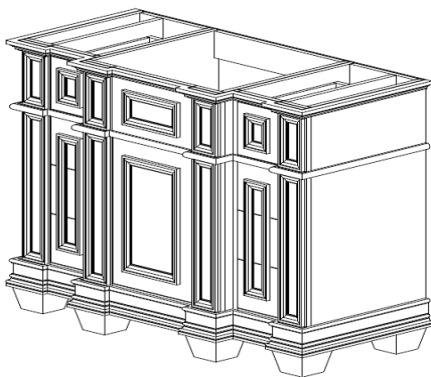
ITEM #	DOUBLE DOOR			RECOMMENDED		A	B	Prem Wood
	W	D	H	BOWL SIZE				
1225-0236	36	23	35	17" x 14"		3515	4295	703
1225-0242	*42	23	35	17" x 14"		3625	4428	725



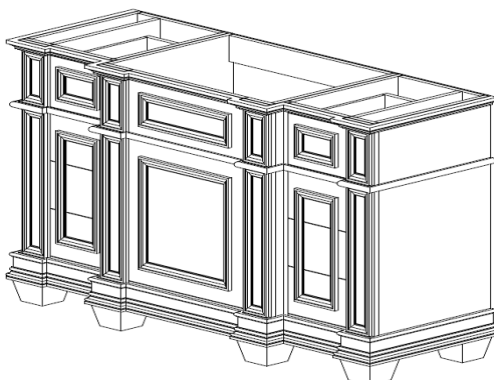
ITEM #	W	D	H	DOOR	DRAWER	A	B	Prem Wood
				SECTION	FACE			
1225-0336	36	23	35	24	6.75	4736	5769	947
1225-0342	42	23	35	30	6.75	4851	5919	970
1225-0348	*48	23	35	30	12.75	4967	6058	993
1225-0354	54	23	35	36	12.75	5198	6347	1040



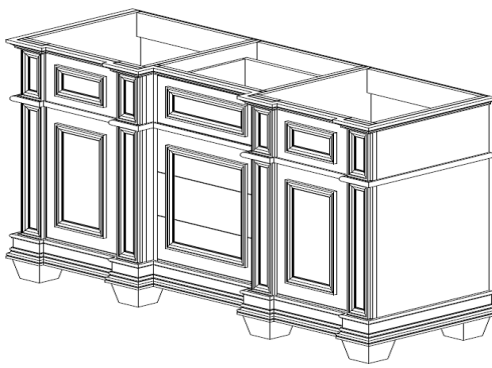
ITEM #	W	D	H	DOOR	DRAWER	A	B	Prem Wood
				SECTION	FACE			
1225-0436	*36	23	35	24	6.75	4736	5769	947
1225-0442	42	23	35	30	6.75	4851	5919	970
1225-0448	48	23	35	30	12.75	4967	6058	993
1225-0454	54	23	35	36	12.75	5198	6347	1040



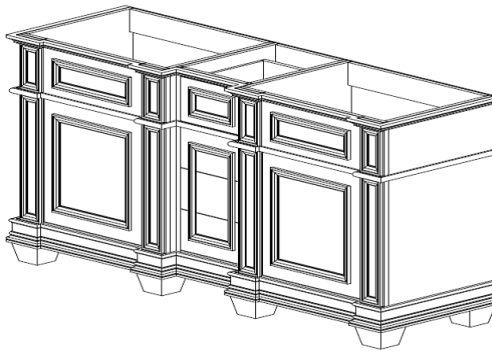
ITEM #	W	D	H	DOOR	DRAWER	A	B	Prem Wood
				SECTION	FACE			
1225-0548	*48	23	35	24	6.75	7161	8738	1432
1225-0554	54	23	35	24	9.75	7277	8876	1455



ITEM #	W	D	H	DOOR	DRAWER	A	B	Prem Wood
				SECTION	FACE			
1225-0660	*60	23	35	30	9.75	7392	9003	1478
1225-0666	66	23	35	30	12.75	7623	9292	1525
1225-0672	72	23	35	36	12.75	7739	9442	1548
1225-0678	78	23	35	36	15.75	7854	9581	1571



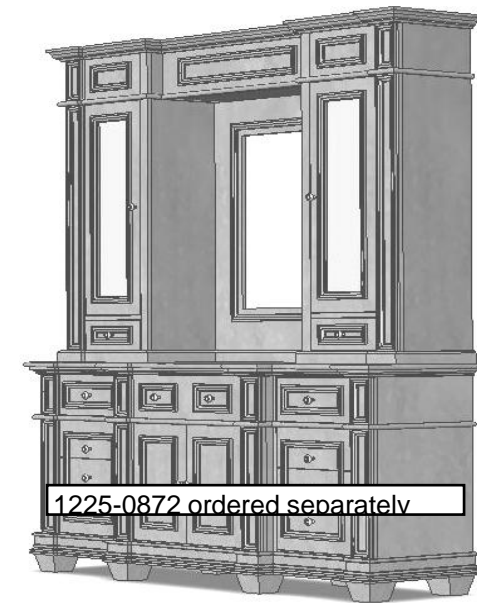
ITEM #	W	D	H	DOOR	DRAWER	Prem		Wood
				SECTION	FACE	A	B	
1225-0760	60	23	35	24	12.5	7438	9073	1484
1225-0766	*66	23	35	24	18.5	7554	9211	1507



ITEM #	W	D	H	DOOR	DRAWER	Prem		Wood
				SECTION	FACE	A	B	
1225-0872	*72	23	35	30	12.5	7548	9211	1507
1225-0878	78	23	35	30	18.5	7663	9350	1530

Tuscan Hutches

THIS PRICING IS FOR THE HUTCH ONLY



ITEM #	W	D	H	Designed For	A	B	Prem Wood
1225-3072	77	18 1/2	54	1225-0672	8021	9789	1600
1225-3078	83	18 1/2	54	1225-0678	8079	9858	1611
30-GLASS	GLASS PACKAGE see details below				1149	1149	N/A

Standard includes:
 Wood Doors/Shelves
 Valence with Lights
 Choice of a Wood, Mirrored, or
 Medicine Cabinet Panel

Optional Glass Package \$1149
 includes:
 Glass Doors on Towers
 Adjustable Glass Shelves
 Lights in Towers
 Mirrored Backs in Towers

1225-0872 ordered separately

See Accessory Page for Matching Accessories

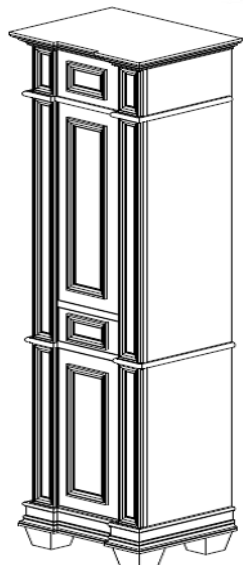


ITEM #	W	D	H	Designed For	A	B	Prem Wood
1225-4072	77	17 1/4	54	1225-0872	8021	9789	1600
1225-4078	83	17 1/4	54	1225-0878	8079	9858	1611
40-GLASS	GLASS PACKAGE see details below				572	572	N/A

Standard includes:
 1 Tower, 2 Pilasters,
 Wood Door/Shelves
 2 Wood, Mirrored or
 Medicine Cabinet Panels

Optional Glass Package \$572
 includes:
 Glass Door
 Adjustable Glass Shelves
 Light in Tower
 Mirrored Back in Tower

1225-0872 ordered separately



ITEM #	W	D	H	DRAWER	A	B	Prem Wood	
1225-0924	*24	19	78	FACE	11.25	3690	4499	738

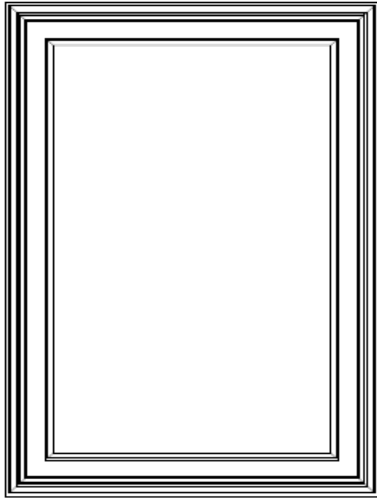
Includes:

1 drawer
 1 halogen light
 clear glass top door
 2 glass shelves
 2 wood shelves

Available Options
 Hair Dryer / Curling Iron Holder \$195
 Electrical Option \$195

fluted glass, frosted glass and wood door panels are available - please contact the factory
 888.479.4108

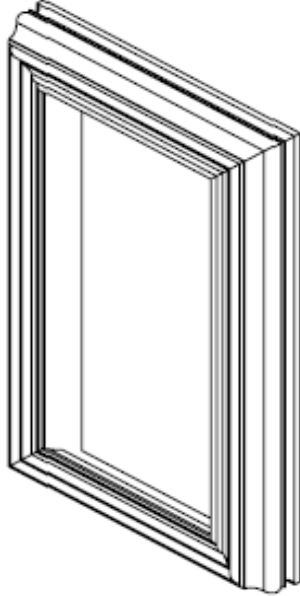
Landscape Mirrors



ITEM #	W	D	H		A	B	Prem Wood	Beveled Glass
1225-2016	23 1/2	1 3/4	38 1/4	N/A	985	1194	197	200
1225-2020	27 1/2	1 3/4	38 1/4	N/A	1007	1227	201	200
1225-2024	31 1/2	1 3/4	38 1/4	N/A	1029	1249	206	200

Landscape Medicine Cabinet Surrounds

ITEM #	W	D	H	Robern Size	A	B	Prem Wood
1225-2116	23 1/2	1 3/4	38 1/4	16 x 30	952	1161	190
1225-2120	27 1/2	1 3/4	38 1/4	20 x 30	974	1183	195
1225-2124	31 1/2	1 3/4	38 1/4	24 x 30	996	1216	199



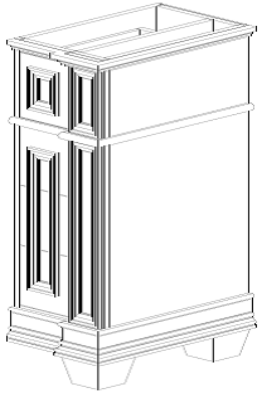
Surface Mounted Medicine Surround

ITEM #	W	D	H	Robern Size	A	B	Prem Wood
100-2116	21.75	4.5	36.5	16 x 30	687	837	N/A
100-2120	25.75	4.5	36.5	20 x 30	710	860	N/A
100-2124	29.75	4.5	36.5	24 x 30	733	884	N/A

Custom 1225 Tuscan Add-on Components

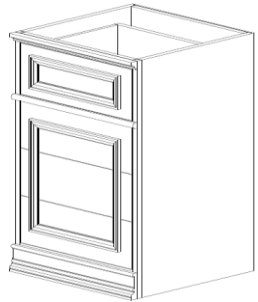
ESTIMATED PRICE FOR CUSTOM COMPONENTS
 PLEASE CALL FACTORY TO PLACE ORDERS FOR CUSTOM COMPONENTS

Fax completed Custom Order Form and rough sketch to 770.479.0176



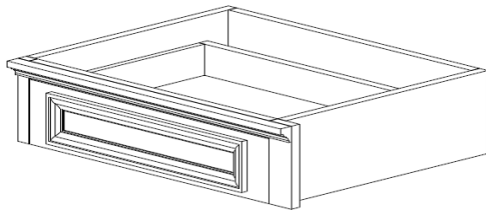
DRAWER WINGS

W	D	H		A	B	Prem Wood
from 13" to 30"	custom	35	3 drawers	2205	2690	441



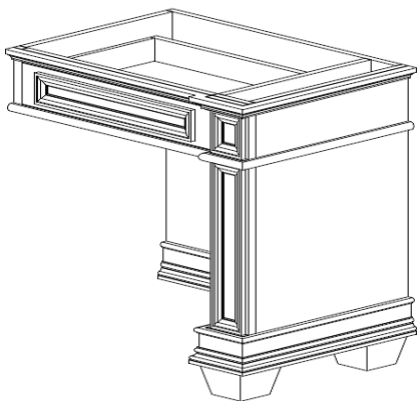
DRAWER BANK

W	D	H		A	B	Prem Wood
from 13" to 30"	custom	35	3 drawers	1985	2421	397
4.75						



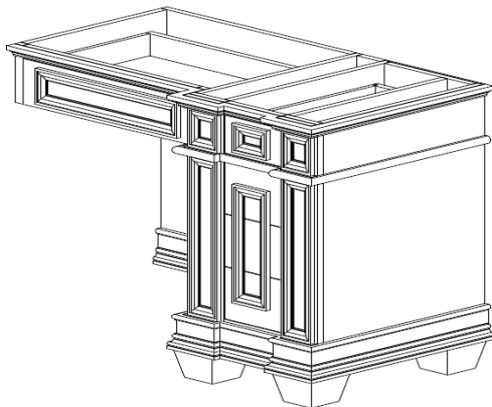
BRIDGE

W	D	H		A	B	Prem Wood
from 24" to 36"	custom	30	1 drawer	1149	1403	230
Bridge will give 24" of clearance under drawer as standard						



BRIDGE WITH FINISHED END

W	D	H		A	B	Prem Wood
from 28" to 38"	custom	30	1 drawer	2397	2928	479
Bridge will give approx 24" of clearance under drawer as standard						
Privacy Panel is included						



BRIDGE WITH DRAWER WING

W	D	H		A	B	Prem Wood
from 40" to 52"	custom	30	4 drawers	3459	4222	692
Bridge will give approx 24" of clearance under drawer as standard						
Privacy Panel is included						

BUILD-IN APPLICATIONS

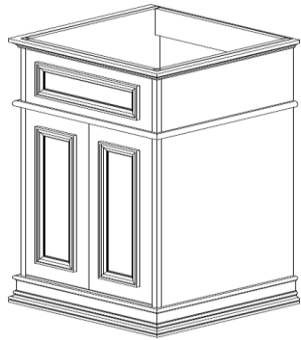
PROFESSIONAL INSTALLATION REQUIRED
 Overall width must be 4" less than space
 We will add filler strips to fill the gaps
 All Filler Strips are no charge

All Filler Strips are trimmable on site with proper tools
 All Filler Strips are Dry Screwed for shipping purposes

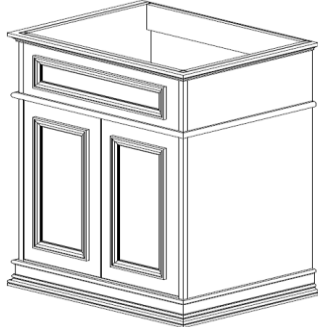
1235 Cambridge

All measurements are overall without top
 Top Templates Available for all items
 *Designates piece shown in line drawing.

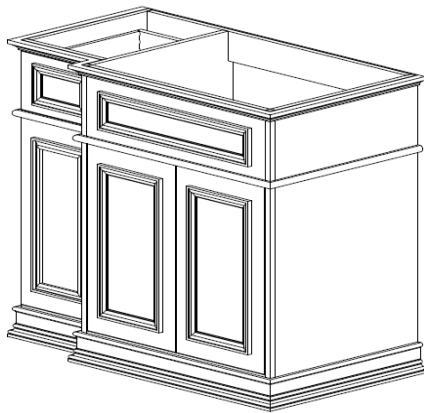
Single door cabinets hinge right
 Double sink vanities hinge on the outside



DOUBLE DOOR				RECOMMENDED				Prem	
ITEM #	W	D	H	BOWL SIZE	A	B	Wood		
1235-0124	*24	23	35	17" x 14"		2304	2812	345	

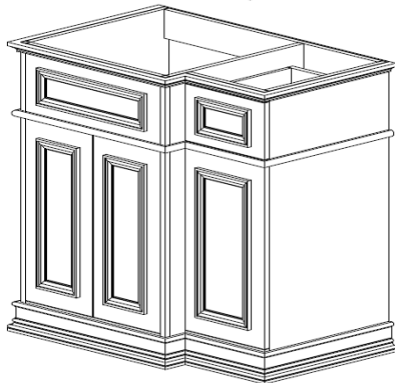


DOUBLE DOOR				RECOMMENDED				Prem	
ITEM #	W	D	H	BOWL SIZE	A	B	Wood		
1235-0230	*30	23	35	17" x 14"		2420	2951	363	
1235-0236	36	23	35	17" x 14"		2535	3090	380	



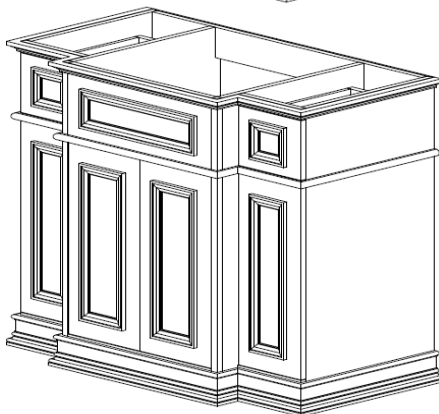
ITEM #	W	D	H	DOOR	DRAWER	A	B	Prem	
				SECTION	FACE			Wood	
1235-0336	36	23	35	24	12	3575	4360	536	
1235-0342	*42	23	35	30	12	3690	4499	553	
1235-0348	48	23	35	30	18	3806	4643	571	

Wing is an Accessory Wing which includes 1 top drawer and 2 drawers behind a door face.



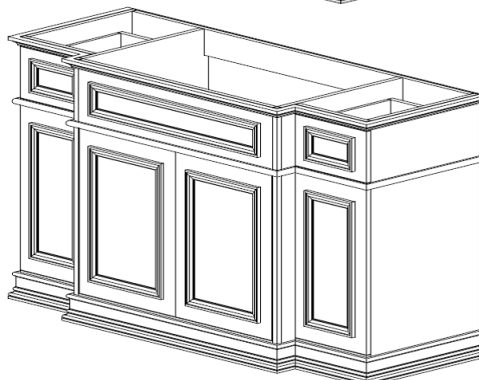
ITEM #	W	D	H	DOOR	DRAWER	A	B	Prem	
				SECTION	FACE			Wood	
1235-0436	*36	23	35	24	12	3575	4360	536	
1235-0442	42	23	35	30	12	3690	4499	553	
1235-0448	48	23	35	30	18	3806	4643	571	

Wing is an Accessory Wing which includes 1 top drawer and 2 drawers behind a door face.



ITEM #	W	D	H	DOOR	DRAWER	A	B	Prem	
				SECTION	FACE			Wood	
1235-0542	*42	23	35	24	9	4499	5492	675	

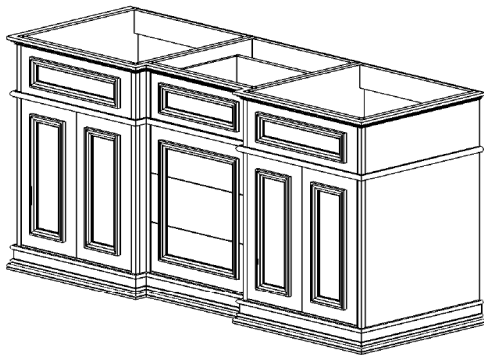
Wing is an Accessory Wing which includes 1 top drawer and 2 drawers behind a door face.



ITEM #	W	D	H	DOOR	DRAWER	A	B	Prem	
				SECTION	FACE			Wood	
1235-0648	48	23	35	30	9	4614	5631	692	
1235-0654	54	23	35	30	12	4730	5769	709	
1235-0660	*60	23	35	36	12	4845	5908	726	
1235-0666	66	23	35	36	15	4961	6052	744	

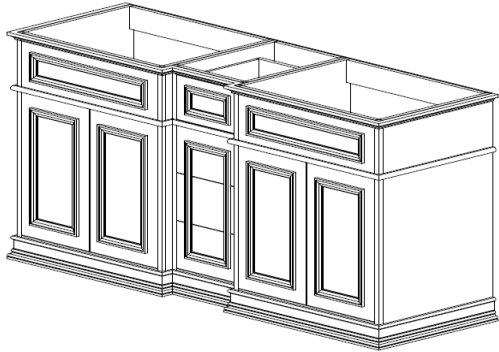
Wing is an Accessory Wing which includes 1 top drawer and 2 drawers behind a door face.

All configurations above ship as one piece.



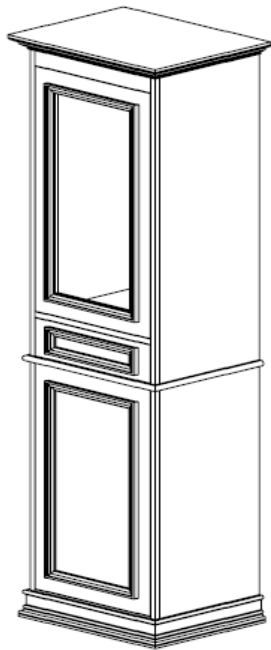
ITEM #	W	D	H	DOOR	DRAWER			Prem	
				SECTION	FACE	A	B	Wood	
1235-0760	60	23	35	24	12.5	6578	8021	986	
1235-0766	*66	23	35	24	18.5	6693	8166	1004	

Bank includes 4 drawers



ITEM #	W	D	H	DOOR	DRAWER			Prem	
				SECTION	FACE	A	B	Wood	
1235-0872	*72	23	35	30	12.5	6809	8310	1021	
1235-0878	78	23	35	30	18.5	6924	8449	1038	

Center bank includes 4 drawers



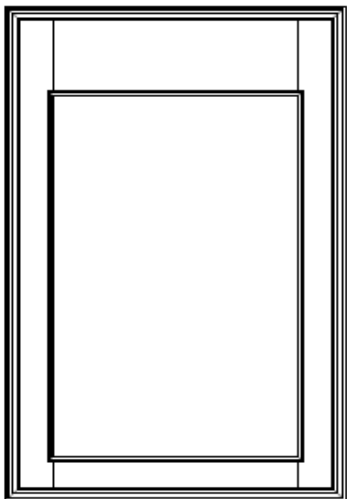
ITEM #	W	D	H	DRAWER				Prem	
				FACE		A	B	Wood	
1235-0924	*24	19	78	18.75		3459	4222	519	

Includes:

1 drawer	2 glass shelves	Available Options	
1 halogen light	2 wood shelves	Hair Dryer / Curling Iron Holder	\$195
clear glass top door		Electrical Option	\$195

fluted glass, frosted glass and wood door panels are available - please contact the factory
888.479.4108

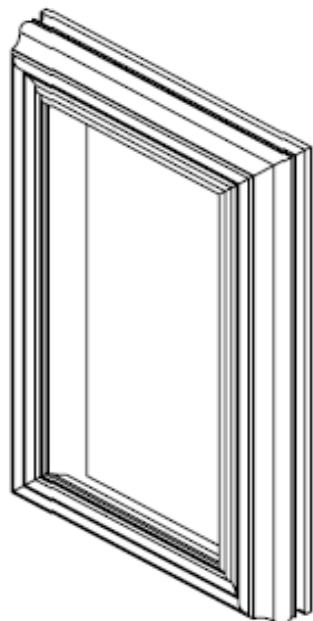
Cambridge Mirrors



ITEM #	W	D	H	A	B	Prem	Beveled
						Wood	Glass
1235-2016	22 1/2	1 5/16	41 1/4	1242	1519	186	200
1235-2020	26 1/2	1 5/16	41 1/4	1265	1542	189	200
1235-2024	30 1/2	1 5/16	41 1/4	1282	1565	193	200

Cambridge Medicine Cabinet Surrounds

ITEM #	W	D	H	Robern Size	A	B	Prem
							Wood
1235-2116	22 1/2	1 5/16	41 1/4	16 x 30	1207	1473	181
1235-2120	26 1/2	1 5/16	41 1/4	20 x 30	1230	1496	185
1235-2124	30 1/2	1 5/16	41 1/4	24 x 30	1253	1530	188



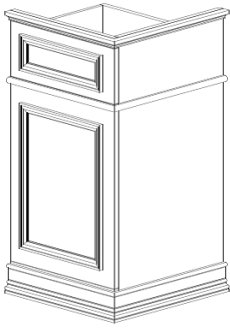
Surface Mounted Medicine Surround

ITEM #	W	D	H	Robern Size	A	B	Prem
							Wood
100-2116	21.75	4.5	36.5	16 x 30	687	837	N/A
100-2120	25.75	4.5	36.5	20 x 30	710	860	N/A
100-2124	29.75	4.5	36.5	24 x 30	733	884	N/A

Custom 1235 Cambridge Add-on Components

ESTIMATED PRICE FOR CUSTOM COMPONENTS
PLEASE CALL FACTORY TO PLACE ORDERS FOR CUSTOM COMPONENTS

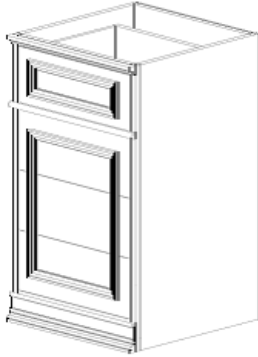
Fax completed Custom Order Form and rough sketch to 770.479.0176



ACCESORY WINGS

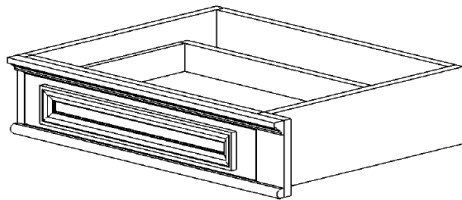
W	D	H	A	B	Prem Wood	
from 8" to 24"	custom	35	3 drawers	2021	2466	404

Accessory Wing includes 1 top drawer and 2 drawers behind a door face.



DRAWER BANK

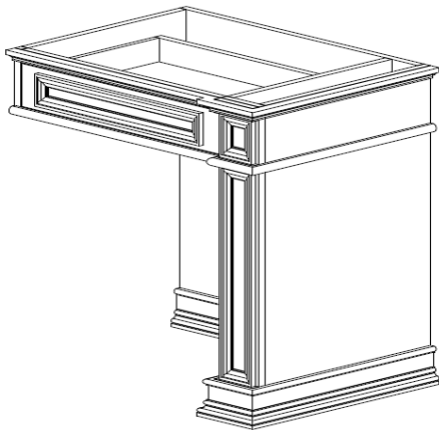
W	D	H	A	B	Prem Wood	
from 10" to 24"	custom	35	4 drawers	1820	2220	362



BRIDGE

W	D	H	A	B	Prem Wood	
from 24" to 36"	custom	30	1 drawer	1149	1403	230

Bridge will give approx 24" of clearance under drawer as standard

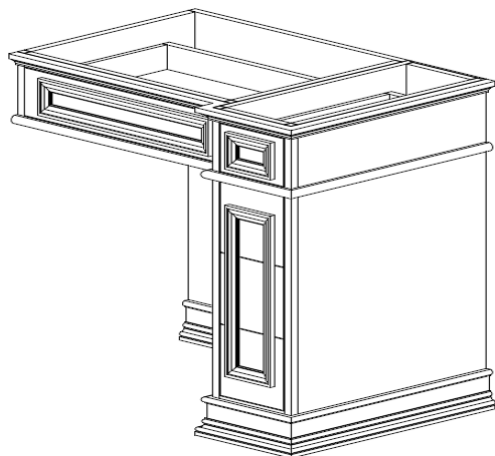


BRIDGE WITH FINISHED END

W	D	H	A	B	Prem Wood	
from 28" to 38"	custom	30	1 drawer	2304	2812	461

Bridge will give approx 24" of clearance under drawer as standard

Privacy Panel is included



BRIDGE WITH DRAWER WING

W	D	H	A	B	Prem Wood	
from 40" to 52"	custom	30	5 drawers	3344	4083	669

Bridge will give approx 24" of clearance under drawer as standard

Privacy Panel is included

BUILD-IN APPLICATIONS

PROFESSIONAL INSTALLATION REQUIRED

Overall width must be 4" less than space

We will add filler strips to fill the gaps

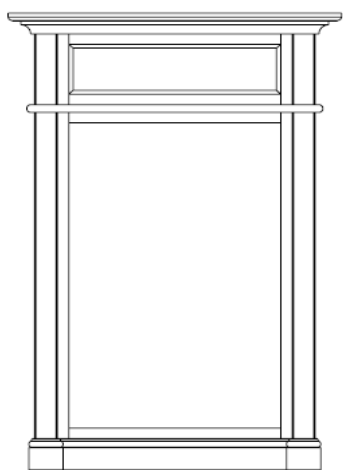
All Filler Strips are no charge

All Filler Strips are trimmable on site with proper tools

All Filler Strips are Dry Screwed for shipping purposes

1255 Estate

All measurements are overall without top



M-55 Estate Mirror

ITEM #	W	D	H	A	B	Prem Wood	Beveled Glass
M-55	24	3	43.75	1380	1681	208	200

Estate Medicine Cabinet Surround

ITEM #	W	D	H	Robern Size	A	B	Prem Wood
MC-55-16	21.5	3	43.75	16 x 30	1334	1611	208
MC-55-20	29.25	3	43.75	20 x 30	1380	1681	208
MC-55-24	33.25	3	43.75	24 x 30	1426	1727	208

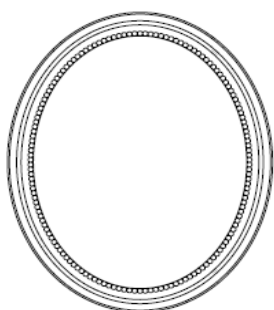


1255 Estate

ITEM #	W	D	H	A	B	Prem Wood
1255	35	23.75	35.25	3806	4642	570

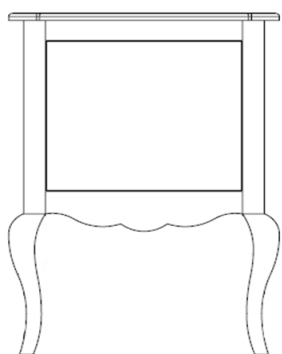
1321 Mini French

All measurements are overall without top



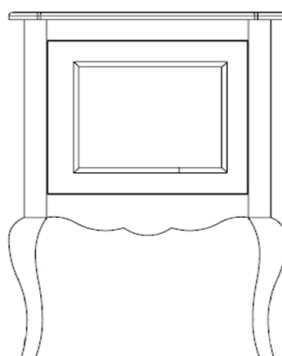
M-0 Oval Mirror

ITEM #	W	D	H	A	B	Prem Wood	Beveled Glass
M-0	26	1.5	32	889	1085	N/A	N/A



1321 Mini French

ITEM #	W	D	H	A	B	Prem Wood
1321	24	22.5	33.25	2295	2795	N/A



1321A Mini French with Molding

ITEM #	W	D	H	A	B	Prem Wood
1321A	24	22.5	33.25	2295	2795	N/A

1425 Classic

All measurements are overall without top
 Top Templates Available for all items
 *Designates piece shown in line drawing.

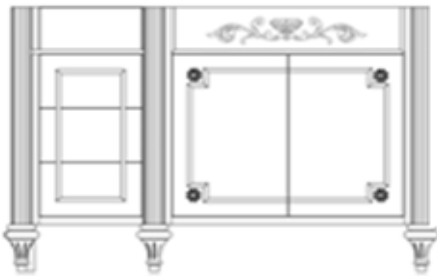
Single door cabinets hinge right
 Double sink vanities hinge on the outside



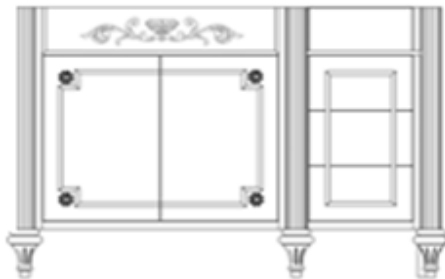
ITEM #	SINGLE DOOR			RECOMMENDED		A	B	Prem Wood	
	W	D	H	BOWL SIZE					
1425-0124	*24	23	34	17" x 14"		3183	3875	N/A	



ITEM #	DOUBLE DOOR			RECOMMENDED		A	B	Prem Wood	
	W	D	H	BOWL SIZE					
1425-0230	*30	23	34	17" x 14"		3633	4432	N/A	
1425-0236	36	23	34	17" x 14"		3814	4651	N/A	



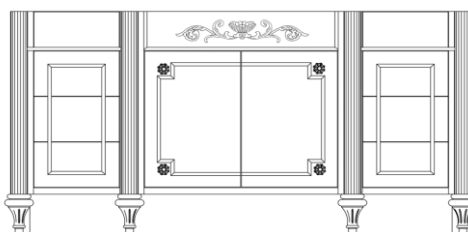
ITEM #	W	D	H	DOOR	DRAWER	A	B	Prem Wood	
				SECTION	FACE				
1425-0336	36	23	34	24	8.5	5386	6570	N/A	
1425-0342	42	23	34	30	8.5	5507	6720	N/A	
1425-0348	48	23	34	30	14.5	5727	6984	N/A	
1425-0354	*54	23	34	36	14.5	5838	7121	N/A	



ITEM #	W	D	H	DOOR	DRAWER	A	B	Prem Wood	
				SECTION	FACE				
1425-0436	36	23	34	24	8.5	5386	6570	N/A	
1425-0442	42	23	34	30	8.5	5507	6720	N/A	
1425-0448	*48	23	34	30	14.5	5727	6984	N/A	
1425-0454	54	23	34	36	14.5	5838	7121	N/A	



ITEM #	W	D	H	DOOR	DRAWER	A	B	Prem Wood	
				SECTION	FACE				
1425-0542	*42	23	34	24	6	7133	8704	N/A	
1425-0548	48	23	34	24	9	7243	8837	N/A	



ITEM #	W	D	H	DOOR	DRAWER	A	B	Prem Wood	
				SECTION	FACE				
1425-0654	54	23	34	30	9	7354	8971	N/A	
1425-0660	*60	23	34	36	9	7464	9107	N/A	
1425-0666	66	23	34	36	12	7574	9211	N/A	
1425-0672	72	23	34	36	15	7684	9371	N/A	

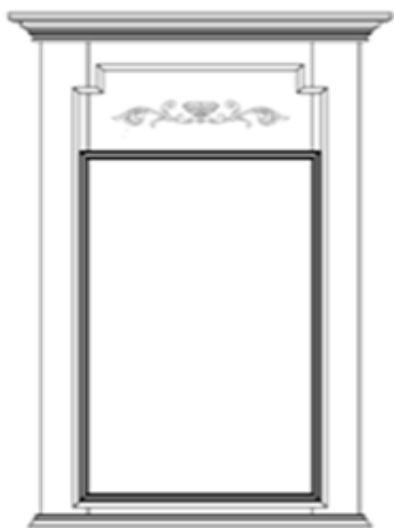


ITEM #	W	D	H	DOOR	DRAWER	Species			
				SECTION	FACE	A	B	Upchg	
1425-0760	60	23	34	24	10	7602	9273	N/A	
1425-0766	*66	23	34	24	16	7712	9408	N/A	



ITEM #	W	D	H	DOOR	DRAWER	Prem			
				SECTION	FACE	A	B	Wood	
1425-0872	*72	23	34	30	10	8153	9950	N/A	
1425-0878	78	23	34	30	16	8263	10082	N/A	

* Linen Towers are available. Please call factory for drawings and quote.



Classic Mirrors

ITEM #	W	D	H	A	B	Prem Wood	Beveled Glass
1425-2016	27.75	4	45.5	1461	1782	N/A	200
1425-2020	31.75	4	45.5	1484	1811	N/A	200
1425-2024	35.75	4	45.5	1507	1839	N/A	200

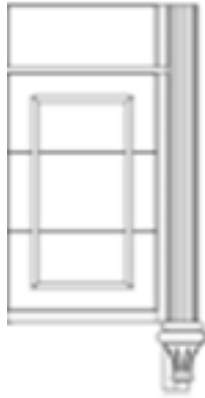
Classic Medicine Cabinet Surrounds

ITEM #	W	D	H	Robern Size	A	B	Prem Wood
1425-2116	27.75	4	45.5	16 x 30	1334	1611	N/A
1425-2120	31.75	4	45.5	20 x 30	1380	1681	N/A
1425-2124	35.75	4	45.5	24 x 30	1426	1727	N/A

Custom 1425 Classic Add-on Components

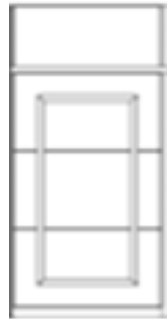
ESTIMATED PRICE FOR CUSTOM COMPONENTS
 PLEASE CALL FACTORY TO PLACE ORDERS FOR CUSTOM COMPONENTS

Fax completed Custom Order Form and rough sketch to 770.479.0176



DRAWER WINGS

W	D	H		A	B	Prem Wood
from 9" to 24"	custom	33	3 drawers	2100	2562	N/A



DRAWER BANK

W	D	H		A	B	Prem Wood
from 9" to 24"	custom	33	3 drawers	1890	2306	N/A



BRIDGE

W	D	H		A	B	Prem Wood
from 24" to 30"	custom	30	1 drawer	945	1153	N/A

Bridge will give 24" of clearance under drawer as standard

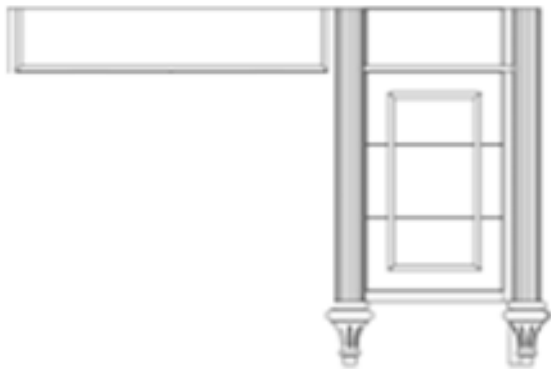


BRIDGE WITH FINISHED END

W	D	H		A	B	Prem Wood
from 26" to 32"	custom	30	1 drawer	1680	2050	N/A

Bridge will give 24" of clearance under drawer as standard

Privacy Panel is included



BRIDGE WITH DRAWER WING

W	D	H		A	B	Prem Wood
from 36" to 48"	custom	30	4 drawers	3255	3971	N/A

Bridge will give 24" of clearance under drawer as standard

Privacy Panel is included

BUILD-IN APPLICATIONS

PROFESSIONAL INSTALLATION REQUIRED

Overall width must be 4" less than space

We will add filler strips to fill the gaps

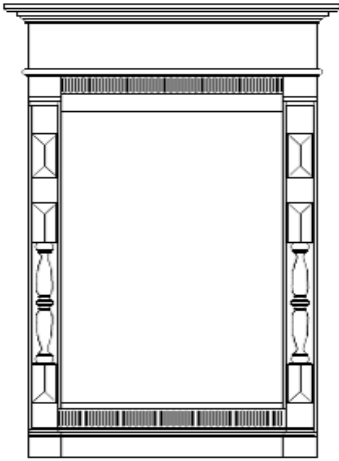
All Filler Strips are no charge

All Filler Strips are trimmable on site with proper tools

All Filler Strips are Dry Screwed for shipping purposes

1520 Tavern

All measurements are overall without top

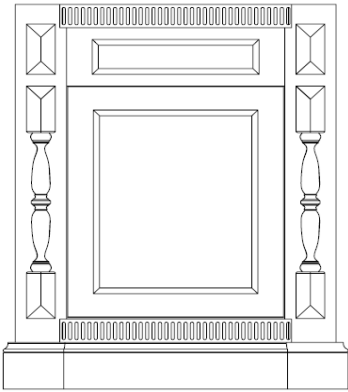


M-25 Tavern Mirror

ITEM #	W	D	H		A	B	Prem Wood	Beveled Glass
M-25	30.25	5	45.5		1380	1681	N/A	200

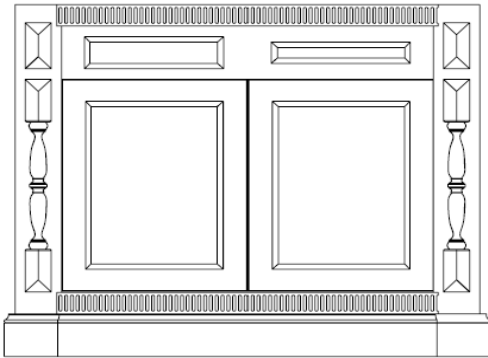
Tavern Medicine Cabinet Surround

ITEM #	W	D	H	Robern Size	A	B	Prem Wood
MC-25-16	26.25	5	45.5	16 x 30	1334	1611	N/A
MC-25-20	30.25	5	45.5	20 x 30	1380	1681	N/A
MC-25-24	34.25	5	45.5	24 x 30	1426	1727	N/A



1520 Mini Tavern

ITEM #	W	D	H		A	B	Prem Wood
1520	27	22	33		3344	4071	N/A



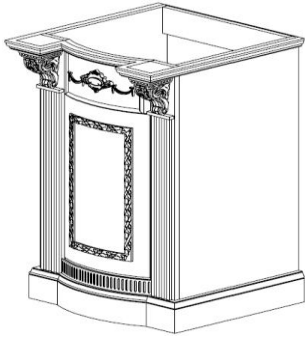
1521 Tavern

ITEM #	W	D	H		A	B	Prem Wood
1521	42	22	33		3690	4499	N/A

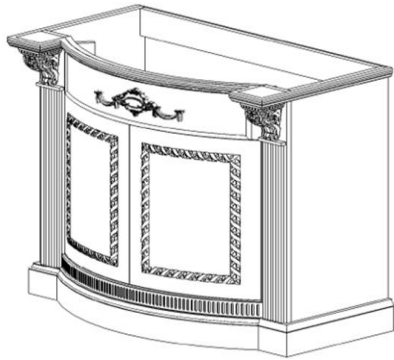
1525 Corbel

All measurements are overall without top
 Top Templates Available for all items
 *Designates piece shown in line drawing.

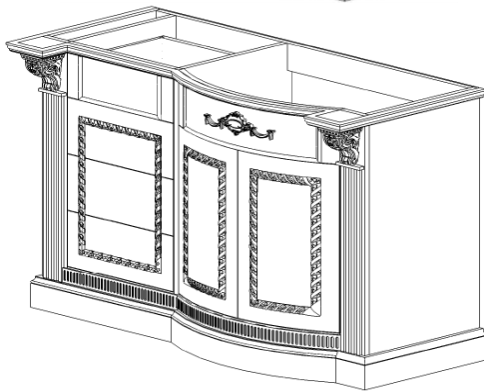
Single door cabinets hinge right
 Double sink vanities hinge on the outside



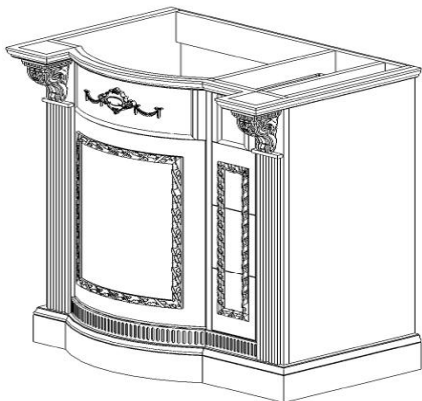
SINGLE DOOR				RECOMMENDED				Prem Wood	
ITEM #	W	D	H	BOWL SIZE		A	B		
1525-0124	*24	25 5/16	35	17" x 14"		3344	4083	N/A	
1525-0130	30	23 5/16	35	17" x 14"		3459	4222	N/A	



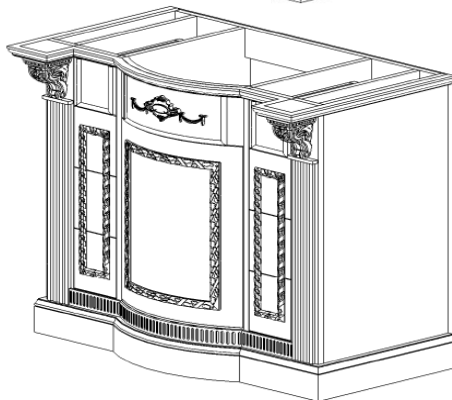
DOUBLE DOOR				RECOMMENDED				Prem Wood	
ITEM #	W	D	H	BOWL SIZE		A	B		
1525-0236	36	23 1/4	35	17" x 14"		3690	4499	N/A	
1525-0242	*42	23	35	17" x 14"		3806	4649	N/A	



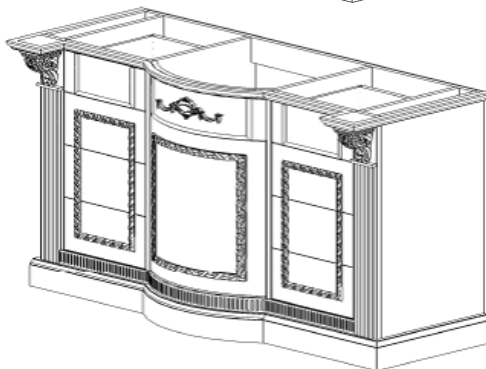
ITEM #	W	D	H	DRAWER	DOOR	A	B	Prem Wood	
				FACE	SIZE				
1525-0336	36	23 3/4	35	6.25	19	4730	5769	N/A	
1525-0342	42	23 5/16	35	11.25	20	4845	5908	N/A	
1525-0348	48	23 5/16	35	17.25	20	4961	6058	N/A	
1525-0354	*54	23 1/2	35	17.25	26	5076	6197	N/A	



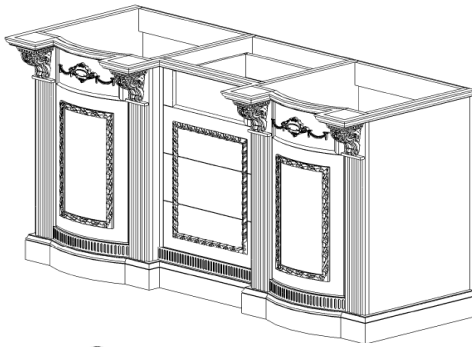
ITEM #	W	D	H	DRAWER	DOOR	A	B	Prem Wood	
				FACE	SIZE				
1525-0436	*36	23 3/4	35	6.25	19	4730	5769	N/A	
1525-0442	42	23 5/16	35	11.25	20	4845	5908	N/A	
1525-0448	48	23 5/16	35	17.25	20	4961	6058	N/A	
1525-0454	54	23 1/2	35	17.25	26	5076	6197	N/A	



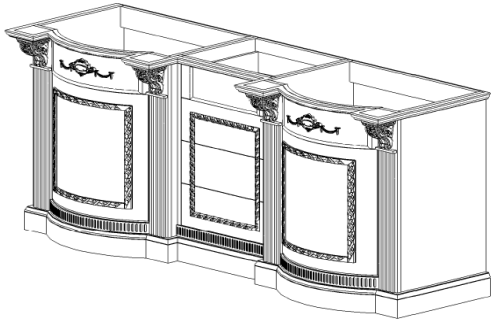
ITEM #	W	D	H	DRAWER	DOOR	A	B	Prem Wood	
				FACE	SIZE				
1525-0542	*42	24 1/8	35	6.25	18	6231	7606	N/A	
1525-0548	48	24 1/8	35	9.25	18	6347	7733	N/A	



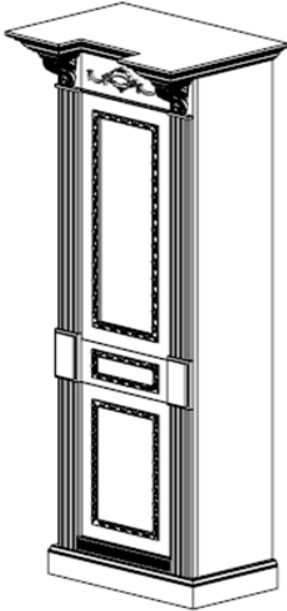
ITEM #	W	D	H	DRAWER	DOOR	A	B	Prem Wood	
				FACE	SIZE				
1525-0654	54	23 5/16	35	11.25	20	6462	7883	N/A	
1525-0660	*60	23 5/16	35	14.25	20	6578	8021	N/A	
1525-0666	66	23 1/2	35	14.25	26	6809	8310	N/A	
1525-0672	72	23 1/2	35	17.25	26	6924	8449	N/A	
1525-0678	78	23 1/2	35	20.25	26	7040	8587	N/A	



ITEM #	W	D	H	DRAWER	DOOR	A	B	Prem	Wood
				FACE	SIZE				
1525-0760	60	25 5/16	35	12.5	14	7964	9719	N/A	
1525-0766	*66	25 5/16	35	18.5	14	8079	9858	N/A	



ITEM #	W	D	H	DRAWER	DOOR	A	B	Prem	Wood
				FACE	SIZE				
1525-0872	72	23 5/16	35	12.5	20	8310	10135	N/A	
1525-0878	*78	23 5/16	35	18.5	20	8426	10274	N/A	



ITEM #	W	D	H	DRAWER	DOOR	A	B	Prem	Wood
				FACE	SIZE				
1525-0924	*29 1/2	20 7/8	78	16.25	16.25	3690	4499	N/A	

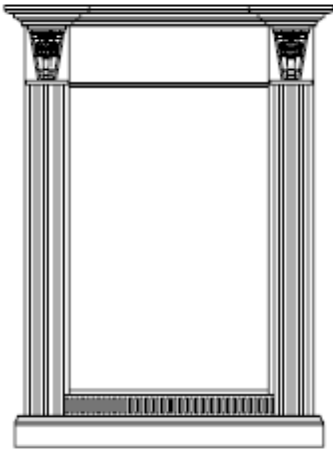
Includes:

1 drawer	2 glass shelves	Available Options	
1 halogen light	2 wood shelves	Hair Dryer / Curling Iron Holder	\$195
clear glass top door		Electrical Option	\$195

fluted glass, frosted glass and wood door panels are available - please contact the factory
888.479.4108

Corbel Mirrors

ITEM #	W	D	H	A	B	Prem	Beveled
						Wood	Glass
1525-2016	27 1/4	6 5/8	43 1/8	1496	1825	N/A	200
1525-2020	31 1/4	6 5/8	43 1/8	1519	1854	N/A	200
1525-2024	35 1/4	6 5/8	43 1/8	1542	1881	N/A	200



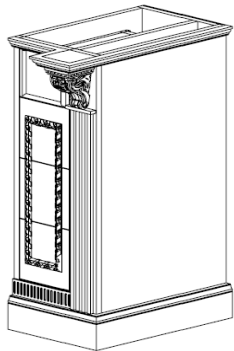
Corbel Medicine Cabinet Surrounds

ITEM #	W	D	H	Roborn Size	A	B	Prem
							Wood
1525-2116	27 1/4	6 5/8	43 1/8	16 x 30	1461	1782	N/A
1525-2120	31 1/4	6 5/8	43 1/8	20 x 30	1484	1811	N/A
1525-2124	35 1/4	6 5/8	43 1/8	24 x 30	1507	1839	N/A

Custom 1525 Corbel Add-on Components

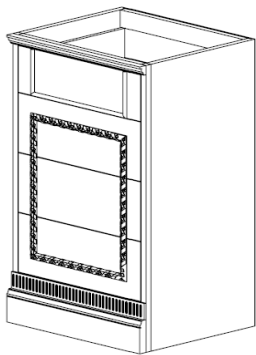
ESTIMATED PRICE FOR CUSTOM COMPONENTS
PLEASE CALL FACTORY TO PLACE ORDERS FOR CUSTOM COMPONENTS

Fax completed Custom Order Form and rough sketch to 770.479.0176



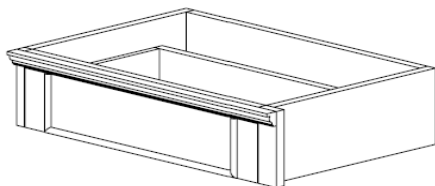
DRAWER WINGS

W	D	H	A	B	Prem Wood	
from 13" to 30"	custom	35	3 drawers	2410	2940	N/A



DRAWER BANK

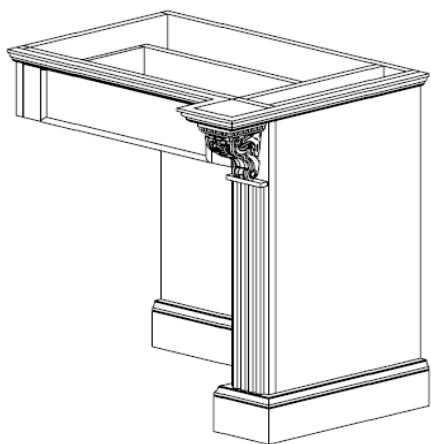
W	D	H	A	B	Prem Wood	
from 13" to 30"	custom	35	3 drawers	2169	2646	N/A



BRIDGE

W	D	H	A	B	Prem Wood	
from 24" to 36"	custom	30	1 drawer	1380	1681	N/A

Bridge will give 24" of clearance under drawer as standard

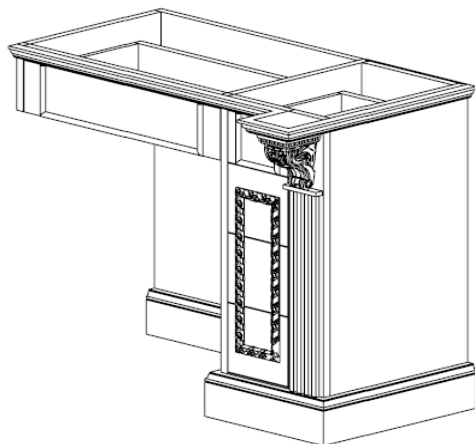


BRIDGE WITH FINISHED END

W	D	H	A	B	Prem Wood	
from 28" to 38"	custom	30	1 drawer	2535	3090	N/A

Bridge will give 24" of clearance under drawer as standard

Privacy Panel is included



BRIDGE WITH DRAWER WING

W	D	H	A	B	Prem Wood	
from 40" to 52"	custom	30	4 drawers	3806	4643	N/A

Bridge will give 24" of clearance under drawer as standard

Privacy Panel is included

BUILD-IN APPLICATIONS

PROFESSIONAL INSTALLATION REQUIRED

Overall width must be 4" less than space

We will add filler strips to fill the gaps

All Filler Strips are no charge

All Filler Strips are trimmable on site with proper tools

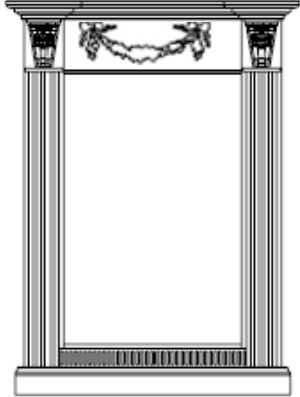
All Filler Strips are Dry Screwed for shipping purposes

1620 Brittany

All measurements are overall without top
 Top Templates Available for all items
 *Designates piece shown in line drawing.

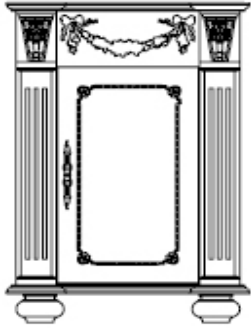
Single door cabinets hinge right
 Double sink vanities hinge on the outside

Brittany Mirror



ITEM #	W	D	H	A	B	Prem Wood	Beveled Glass
1620-2016	27 1/4	6 5/8	43	1496	1825	N/A	200
1620-2020	31 1/4	6 5/8	43	1519	1854	N/A	200
1620-2024	35 1/4	6 5/8	43	1542	1881	N/A	200

Brittany Medicine Cabinet Surrounds



ITEM #	W	D	H	Robern Size	A	B	Prem Wood
1620-2116	27 1/4	6 5/8		16 x 30	1461	1782	N/A
1620-2120	31 1/4	6 5/8		20 x 30	1484	1811	N/A
1620-2124	35 1/4	6 5/8		24 x 30	1507	1839	N/A

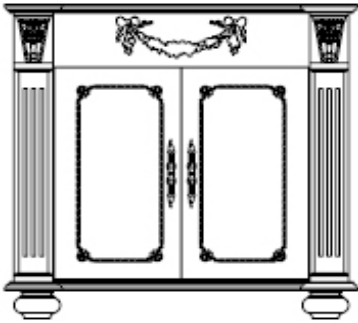
SINGLE DOOR

RECOMMENDED

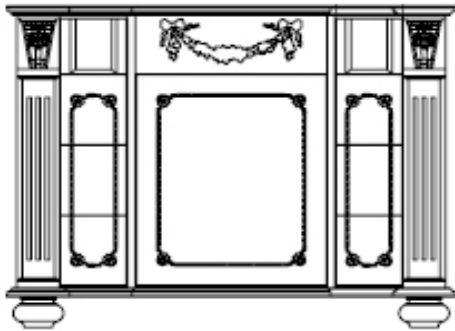
ITEM #	W	D	H	BOWL SIZE	A	B	Prem Wood
1620-0124	24	25 5/16	35	17" x 14"	3344	4083	N/A
* 1620-0130	30	23 5/16	35	17" x 14"	3459	4222	N/A

DOUBLE DOOR

RECOMMENDED



ITEM #	W	D	H	BOWL SIZE	A	B	Prem Wood
1620-0236	36	23 11/16	35	17" x 14"	3690	4499	N/A



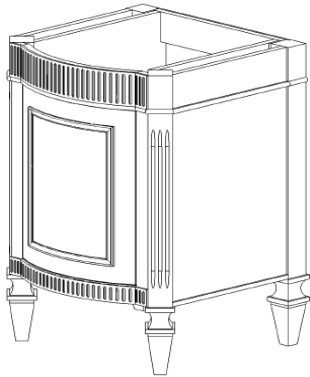
ITEM #	W	D	H	DOOR SECTION	DRAWER FACE	A	B	Prem Wood
1620-0542	42	24 3/16	35			6231	7606	N/A

* Linen Towers are available. Please call factory for drawings and quote.

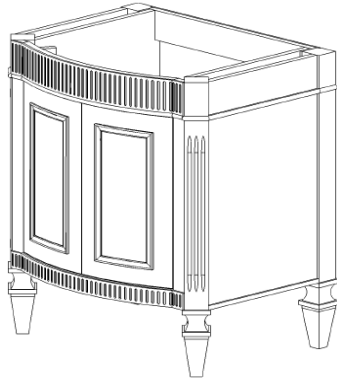
1820 Bella

All measurements are overall without top
 Top Templates Available for all items
 *Designates piece shown in line drawing.

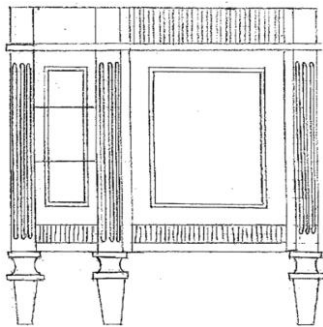
Single door cabinets hinge right
 Double sink vanities hinge on the outside



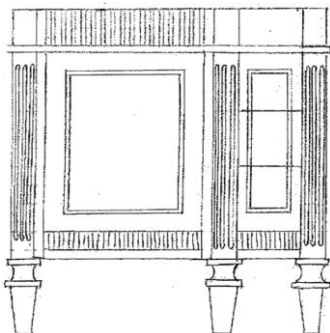
SINGLE DOOR				RECOMMENDED				Prem Wood	
ITEM #	W	D	H	BOWL SIZE	A	B			
1820-0124	*24	23	35	17" x 14"	3113	3794	624		



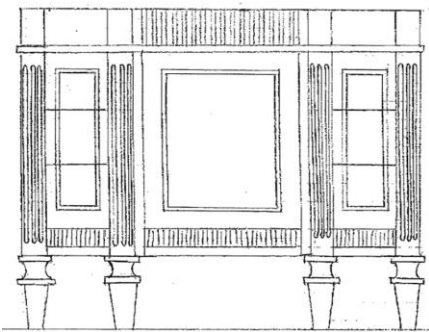
DOUBLE DOOR				RECOMMENDED				Prem Wood	
ITEM #	W	D	H	BOWL SIZE	A	B			
1820-0230	*30	23	35	17" x 14"	3460	4221	692		
1820-0236	36	23	35	17" x 14"	3632	4429	726		



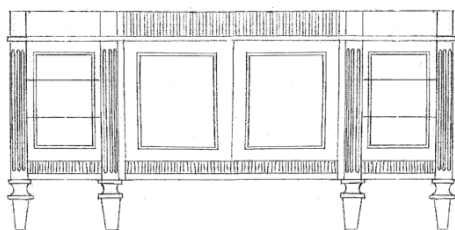
ITEM #	W	D	H	DOOR	DRAWER	A	B	Prem Wood	
				SECTION	FACE				
1820-0336	36	23	35	24	8	5129	6257	1026	
1820-0342	42	23	35	30	8	5245	6400	1049	
1820-0348	48	23	35	30	14	5455	6652	1091	
1820-0354	54	23	35	36	14	5560	6782	1112	



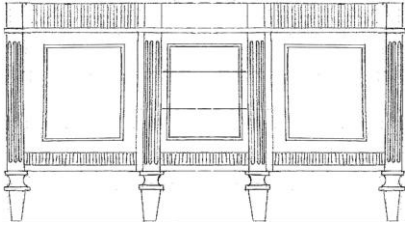
ITEM #	W	D	H	DOOR	DRAWER	A	B	Prem Wood	
				SECTION	FACE				
1820-0436	36	23	35	24	8	5129	6257	1026	
1820-0442	42	23	35	30	8	5245	6400	1049	
1820-0448	48	23	35	30	14	5455	6652	1091	
1820-0454	54	23	35	36	14	5560	6782	1112	



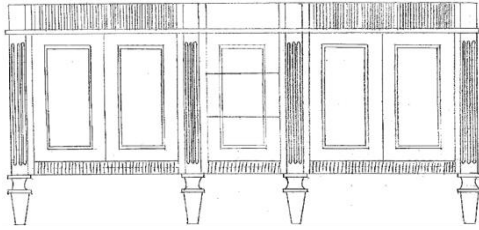
ITEM #	W	D	H	DOOR	DRAWER	A	B	Prem Wood	
				SECTION	FACE				
1820-0548	48	23	35	24	8	6899	8416	1381	
1820-0654	54	23	35	24	11	7004	8544	1401	



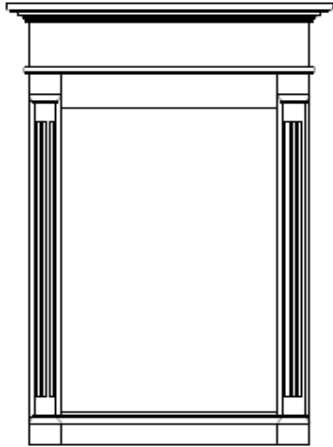
ITEM #	W	D	H	DOOR	DRAWER	A	B	Prem Wood	
				SECTION	FACE				
1820-0660	*60	23	35	30	11	7109	8673	1422	
1820-0666	66	23	35	36	11	7213	8772	1444	
1820-0672	72	23	35	36	14	7319	8925	1464	



ITEM #	W	D	H	DOOR	DRAWER	Prem		Wood
				SECTION	FACE	A	B	
1820-0760	60	23	35	24	10	7240	8832	1448
1820-0766	*66	23	35	24	16	7345	8960	1469



ITEM #	W	D	H	DOOR	DRAWER	Prem		Wood
				SECTION	FACE	A	B	
1820-0872	*72	23	35	30	10	7555	9214	1511
1820-0878	78	23	35	30	16	7660	9344	1532



Bella Mirrors

ITEM #	W	D	H	Prem		Beveled Glass
				Wood	A	
1820-2016	25.75	5	44	N/A	1461	200
1820-2020	29.75	5	44	N/A	1484	200
1820-2024	33.75	5	44	N/A	1507	200

Bella Medicine Cabinet Surrounds

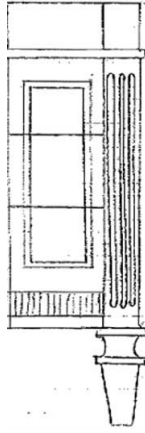
ITEM #	W	D	H	Robern Size	Prem		Wood
					A	B	
1820-2116	25.75	5	44	16 x 30	1334	1611	N/A
1820-2120	29.75	5	44	20 x 30	1380	1681	N/A
1820-2124	33.75	5	44	24 x 30	1426	1727	N/A

* Linen Towers are available. Please call factory for drawings and quote.

Custom 1820 Bella Add-on Components

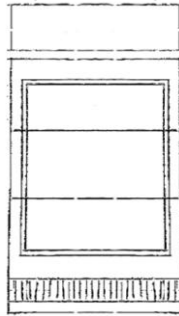
ESTIMATED PRICE FOR CUSTOM COMPONENTS
PLEASE CALL FACTORY TO PLACE ORDERS FOR CUSTOM COMPONENTS

Fax completed Custom Order Form and rough sketch to 770.479.0176



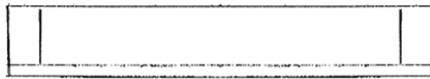
DRAWER WINGS

W	D	H	A	B	Prem Wood	
from 9" to 24"	custom	33	3 drawers	2410	2940	482



DRAWER BANK

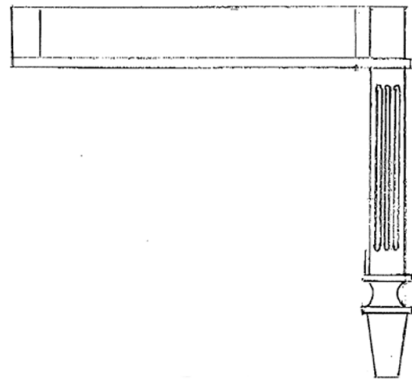
W	D	H	A	B	Prem Wood	
from 9" to 24"	custom	33	3 drawers	2169	2646	434



BRIDGE

W	D	H	A	B	Prem Wood	
from 24" to 30"	custom	30	1 drawer	1085	1323	216

Bridge will give 24" of clearance under drawer as standard

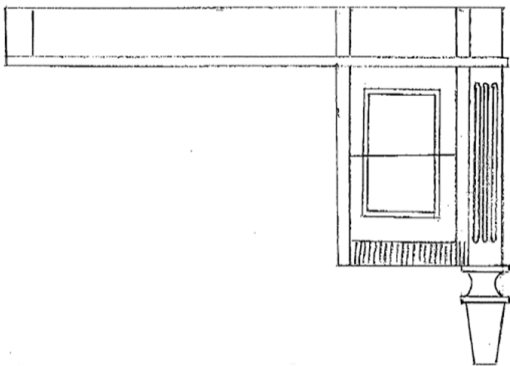


BRIDGE WITH FINISHED END

W	D	H	A	B	Prem Wood	
from 26" to 32"	custom	30	1 drawer	1928	2352	385

Bridge will give 24" of clearance under drawer as standard

Privacy Panel is included



BRIDGE WITH DRAWER WING

W	D	H	A	B	Prem Wood	
from 36" to 48"	custom	30	4 drawers	3735	4557	747

Bridge will give 24" of clearance under drawer as standard

Privacy Panel is included

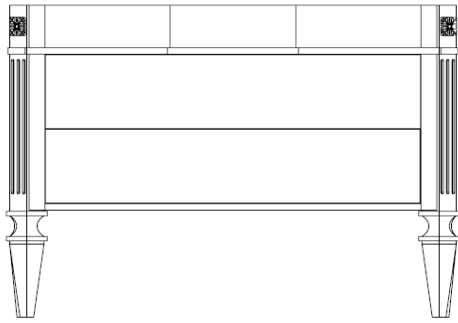
BUILD-IN APPLICATIONS

PROFESSIONAL INSTALLATION REQUIRED
 Overall width must be 4" less than space
 We will add filler strips to fill the gaps
 All Filler Strips are no charge

All Filler Strips are trimmable on site with proper tools
 All Filler Strips are Dry Screwed for shipping purposes

1821 Italian

All measurements are overall without top



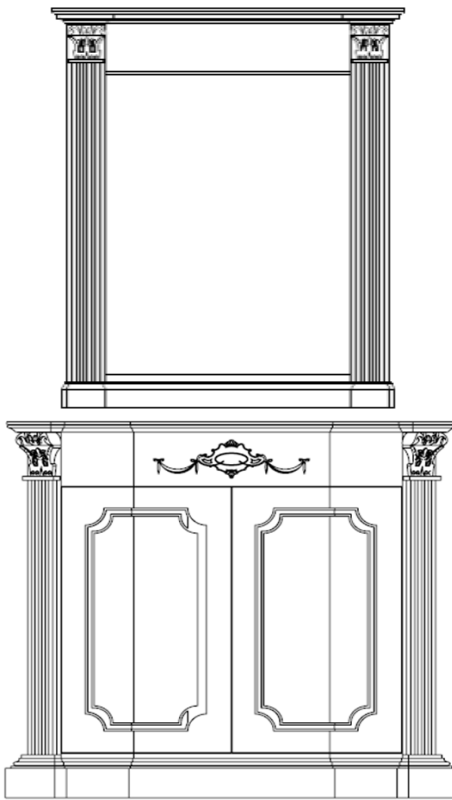
1821 Italian

ITEM #	W	D	H	A	B	Prem Wood
1821	47	22	35	4499	5480	676

This vanity includes a split pocket drawer in the middle section and a full drawer in the bottom section.

1925 Legacy

All measurements are overall without top



M-7 Legacy Mirror

ITEM #	W	D	H	A	B	Prem Wood	Beveled Glass
M-7	37.5	3.5	47	1380	1681	N/A	200

Legacy Medicine Cabinet Surround

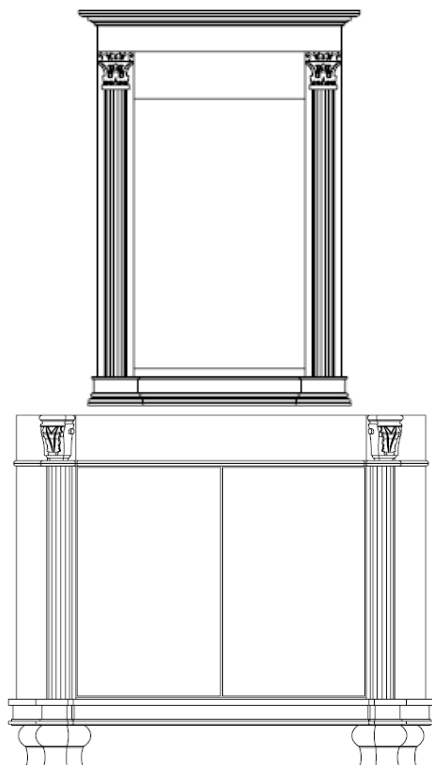
ITEM #	W	D	H	Robern Size	A	B	Prem Wood
MC-7-16	26.75	3.5	41	16 x 30	1334	1611	N/A
MC-7-20	30.75	3.5	41	20 x 30	1380	1681	N/A
MC-7-24	34.75	3.5	41	24 x 30	1426	1727	N/A

1925 Legacy

ITEM #	W	D	H	A	B	Prem Wood
1925	37.75	23.25	35	5307	6462	N/A

1930 Berkshire

All measurements are overall without top



M-30 Berkshire Mirror

ITEM #	W	D	H	A	B	Prem Wood	Beveled Glass
M-30	30.5	5	48	1380	1681	N/A	200

Berkshire Medicine Cabinet Surround

ITEM #	W	D	H	Robern Size	A	B	Prem Wood
MC-30-16	26.5	5	44.5	16 x 30	1334	1611	N/A
MC-30-20	30.5	5	44.5	20 x 30	1380	1681	N/A
MC-30-24	34.5	5	44.5	24 x 30	1426	1727	N/A

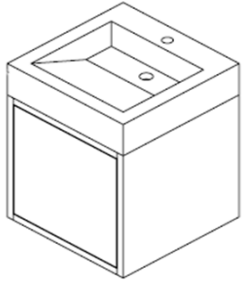
1930 Berkshire

ITEM #	W	D	H	A	B	Prem Wood
1930	36.5	23.25	33	4268	5192	N/A

2005 Newport Configurations

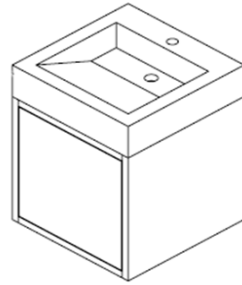
All measurements are overall without top

Newport is designed to accomodate countertops supplied by elsewhere.



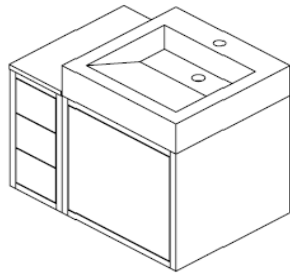
ITEM #	W	D	H	A	B	Prem Wood	Durango Sink
2005-0119	19.5	19.5	19.5	953	N/R		1646

This Sink Cube includes one door. Hinges on Left as standard
Sink is an option.



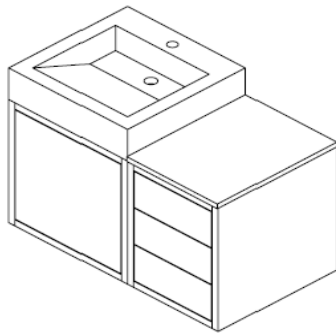
ITEM #	W	D	H	A	B	Prem Wood	Durango Sink
2005-0219	19.5	19.5	19.5	1150	N/R		1646

This Sink Cube includes one drawer.



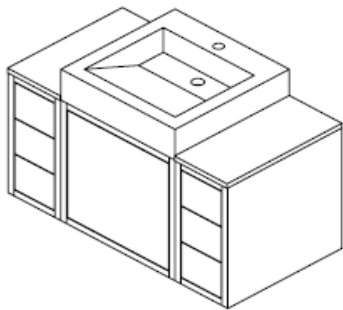
ITEM #	W	D	H	DOOR	DRAWER	A	B	Prem Wood	Durango Sink/Top
2005-0328	28.5	19.5	19.5	17.5	7	2565	N/R		1993
2005-0334	34.5	19.5	19.5	17.5	13	2628	N/R		2098

Includes one Sink Cube with Door on Right, one 3-drawer bank on Left
Door Hinges on Right



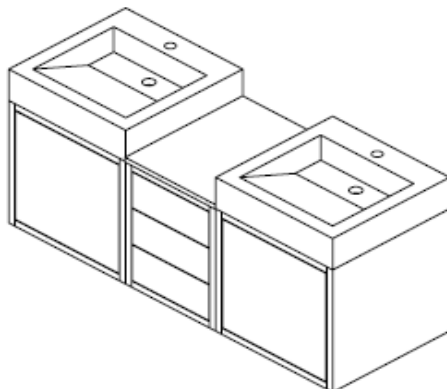
ITEM #	W	D	H	DOOR	DRAWER	A	B	Prem Wood	Durango Sink/Top
2005-0428	28.5	19.5	19.5	17.5	7	2565	N/R		1993
2005-0434	34.5	19.5	19.5	17.5	13	2628	N/R		2098

Includes one Sink Cube with Door on Left, one 3-drawer bank on Right
Door Hinges on Left



ITEM #	W	D	H	DOOR	DRAWER	A	B	Prem Wood	Durango Sink/Top
2005-0537	37.5	19.5	19.5	17.5	7	4177	N/R		2339
2005-0549	49.5	19.5	19.5	17.5	13	4303	N/R		2549

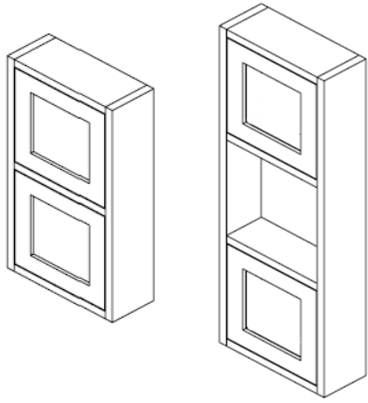
Includes one Sink Cube with Door between two 3-drawer banks.
Door Hinges on Left



ITEM #	W	D	H	DOOR	DRAWER	A	B	Prem Wood	Durango Sink/Top
2005-0748	48	19.5	19.5	17.5	7	3519	N/R		3639
2005-0754	54	19.5	19.5	17.5	13	3582	N/R		3744

Includes two Sink Cubes with Doors and one 3-drawer bank in the middle.
Doors hinge on the outside

UPPER CUBES



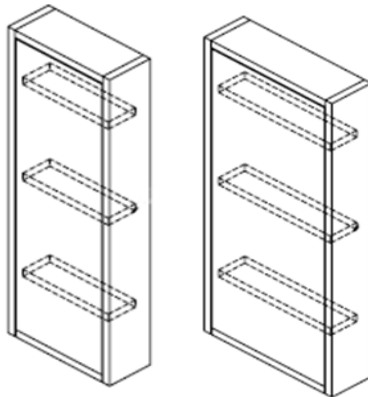
ITEM #	W	D	H	A	B	Prem Wood
2005-1529	15	6	29	1386	N/R	

Includes 2 frosted glass doors. Doors hinge left as a standard.

ITEM #	W	D	H	A	B	Prem Wood
2005-1543	15	6	43	1473	N/R	

Includes 2 frosted glass doors and one space in the middle. Doors hinge left as a standard.

MEDICINE CABINETS with Mirrored Door

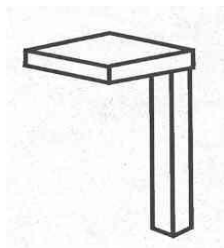


ITEM #	W	D	H	A	B	Prem Wood
2005-2515	15	6	43	1415	N/R	

Includes Mirrored Door and 3 wood shelves. Door hinges left as a standard

ITEM #	W	D	H	A	B	Prem Wood
2005-2519	19.5	6	43	1502	N/R	

Includes Mirrored Door and 3 wood shelves. Door hinges left as a standard

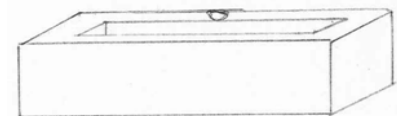


LEG OPTIONS

ITEM #	Dia	H	Polished Chrome
STAN-10	1	10	76 each

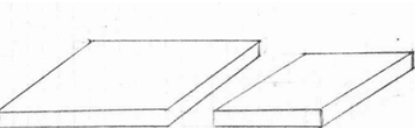
NEWPORT SINKS AND COUNTERTOPS

Durango Granite Sink



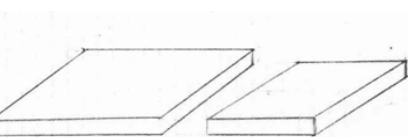
ITEM #	W	D	H	A	B
NPSINK1	19.75	19.75	5	1646	

Durango Granite Wing Slab



ITEM #	W	D	H	A	B
NPWS919	9	19 5/8	0.75	347	
NPWS1519	15	19 5/8	0.75	462	

Durango Granite Bank Slab



ITEM #	W	D	H	A	B
NPBS919	8.75	19 5/8	0.75	347	
NPBS1519	14.75	19 5/8	0.75	462	

2010 Avalon

All measurements are overall without top



ITEM #	W	D	H	DRAWER	A	B	Prem Wood
2010-0124	24	20	20	24	1570	1916	314
2010-0130	30	20	20	30	1622	1979	324
2010-0136	36	20	20	36	1675	2042	335

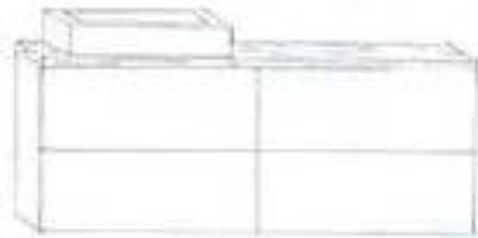
Includes 2 drawers split for plumbing



ITEM #	W	D	H	DRAWER	A	B	Prem Wood
2010-0348	48	20	20	24	3145	3838	629
2010-0360	60	20	20	30	3250	3964	650

Includes one drawer bank for plumbing and one drawer bank to the left

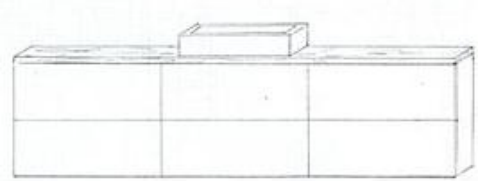
Drawer Bank to the left includes 3 drawers. Top drawer is concealed behind top face.



ITEM #	W	D	H	DRAWER	A	B	Prem Wood
2010-0448	48	20	20	24	3145	3838	629
2010-0460	60	20	20	30	3250	3964	650

Includes one drawer bank for plumbing and one drawer bank to the right

Drawer Bank to the right includes 3 drawers. Top drawer is concealed behind top face.



ITEM #	W	D	H	DRAWER	A	B	Prem Wood
2010-0572	72	20	20	24	4615	5628	923



Avalon Pop-Up Medicine Cabinet

ITEM #	W	D	H	A	B	Prem Wood
2010-2548	48	8.5	20	2620	3145	524

Includes "pop-up" mirrored door, 2 interior and 2 exterior lights

* Semi Recessed Install - requires special rough opening

NEW OPTION AVAILABLE FALL 2010 - Automatic Lift Mechanism - Call for Pricing



Avalon Mirror

ITEM #	W	D	H	A	B	Prem Wood	Beveled Glass
2010-2016	19.5	1.5	33.5	985	1194	197	200
2010-2020	23.5	1.5	33.5	1007	1227	201	200
2010-2024	27.5	1.5	33.5	1029	1249	206	200

Avalon Recessed Medicine Cabinet Surround

ITEM #	W	D	H	A	B	Prem Wood
2010-2116	19.5	1.5	33.5	952	1161	190
2010-2120	23.5	1.5	33.5	974	1183	195
2010-2124	27.5	1.5	33.5	996	1216	199

FACTORY POLICIES AND CONDITIONS OF SALE

Product Information: Furniture Guild product is crafted by hand. Slight variations in dimensions and finish are expected. Minor touch-up or "deluxing" is the responsibility of the dealer.

Terms: Orders are subject to acceptance by the Furniture Guild. All new accounts are required to remit a 50% deposit with an opening order. After which, the balance will be on advisement pending credit application. Customers requiring a COD or CBD shipment will be notified 10 days prior to shipping. Prices are subject to change without notice. Clerical errors are subject to correction. The contract of sale is our printed acknowledgement. Payment terms are net 30 days with approved credit. Refer to factory for account discount schedule.

ABSOLUTELY **NO** refunds are honored. Deposits will be forfeited on orders that have been cancelled after they have been processed. ANY CREDITS received will be applied toward the account's next invoice. If your account has been placed on proforma (CBD) terms, and the balance of the invoice is not received within (30) days of the date on the invoice, the order will be cancelled and the deposit will be forfeited. You will also receive an additional invoice for the re-stocking fee.

Shipping Information: Lead times can vary, please call. Lead times are estimated from the receipt of the deposit, **NOT** from the exact date given on the acknowledgement. All shipments are FOB Factory, Canton, Georgia. When the carrier is not specified on the order, it is assumed that selection of carrier is left to our judgement. We can ship to private residences for an additional charge. We will hold GOODS FOR PICK UP for TWO weeks after notifying our customer. After that time we will cancel or ship at our discretion. Payment for CBD ORDERS will be requested about 10 days before goods become available. To assure availability, payment must be received no later than two weeks after the date of the request. We are not responsible for goods missed because of late CBD payments. We will make every effort to ship goods as scheduled on acknowledgements. We will not be held responsible for late shipment due to material shortages, transportation delay, or other conditions beyond our control.

Damaged or Defective Goods: Any damage or shortage should be noted on the Freight Bill of Lading, BEFORE signing. If concealed damage is discovered after the delivery, it is the purchaser's responsibility to retain all packing material including the carton and to notify the carrier immediately to schedule an inspection. **We have an agreement with several carriers to have concealed damaged pieces returned to us to be repaired and returned to you at no charge. Please call the factory for details. The Furniture Guild is NOT responsible for damages that occur in transit.**

If an item is factory defective, report your findings to the factory. Please advise us of item #, invoice #, nature of the defect, and, if possible, an estimate for local repair. We reserve the right to decide if defective goods are to be exchanged, repaired at the factory and returned, or repaired locally and credit issued. The Furniture Guild will not accept any responsibility for open joints due to movements or climate variance on finished product.

Returned merchandise will not be accepted unless the return is authorized by The Furniture Guild and the merchandise is properly cartoned to prevent further damage in transit. We will not issue credit for local repairs performed without prior factory approval. Claims against us will be considered only if filed in writing within (5) days of delivery. Failure to make such claim shall constitute acceptance of the merchandise and waiver of any defects, errors or shortages. We will not be held liable for consequential damages.

Please return pieces within a 30-day period from the time the problem is reported. A return Authorization will be issued to facilitate the return. A 25% restocking fee will be assessed on all orders not deemed defective by The Furniture Guild.

If your orders are shipped to a "receiver/shipper", please be aware that we will not be responsible for expenses incurred for delivery to and from your customer in the event the piece needs to be returned and you did not inspect it first.

Cancellations: We cannot accept cancellations once order has been placed into production.

Dimensions: Dimensions given are approximate and can vary due to handcrafting by individual craftsman.

Custom Size: We are always willing to alter any piece in our line or build a piece to your customer's specifications. Please call the factory for a quote. We require full payment prior to start of production for these items.

Care and Maintenance: Very little general maintenance is required. All finishes and paints are protected with lacquer and will maintain its look under most conditions. Pieces may be wiped off with a damp cloth. However, a spill allowed to stand overnight may result in damage. **While we use an acrylic lacquer, we cannot be held responsible for water damage to wood tops.**

Wood is a living substance and it continues to breathe, no matter how old it is. Dry air is the worst enemy of furniture, so try to keep rooms at an even temperature with good humidity. Do not use any silicone-based polish / cleaner on your furniture. The chemicals and solvents in these products can cause the lacquer to soften and lift. Do not be afraid to use your furniture. The everyday scratches and scuffs add to the beauty and character of your antique reproduction.

THE FURNITURE GUILD, INC. P.O. BOX 1647 - Zip: 30169
141 RAILROAD STREET CANTON, GEORGIA 30114 (770)479-4108 Fax: (770)479-0176 E-Mail: furnitureguild@alltel.net
www.thefurnitureguild.com



The Furniture Guild
P.O Box 1647, Canton, GA 30169
141 Railroad Street, Suite 105, Canton, GA 30114

www.thefurnitureguild.com
phone 888.479.4108 - fax 770.479.0176